

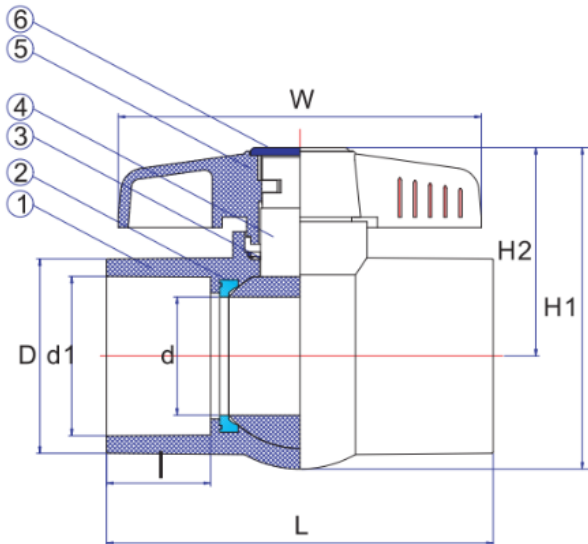
SOLVENT CONNECTION

Features

- Fits Copper Tube Size Pipe
- Compatible with CPVC Piping
- For hot/cold water, approved for use with potable water
- Large port, With PTE Seats
- EPDM O-Ring

Specifications & Approvals

100 PSI at 180°F, Max temperature 180°F
 NSF Listed to NSF 61,372
 ISO 9002, ASTM F1970



Dimensions

Part#	Size	d1	d	D	L	I	w	H1	H2
250S012	1/2"	15.9	12.4	24	68.5	19	60	58	40.7
250S034	3/4"	22.2	18.4	32	84	24	70.2	73	51.6
250S100	1"	28.6	20.5	38.4	91	25	79	77	52.3
250S114	1-1/4"	34.9	25	45.8	105.5	28.5	100	93.5	65.2
250S112	1-1/2"	41.3	30.6	53.5	121	33.5	108	104.8	72.3
250S200	2"	54	41	68.4	149	43.5	130	122	82

Materials

Part Name	Material
1. Body	CPVC
2. Seat Seal	TPE
3. O-Ring	EPDM
4. Ball	CPVC
5. Handle	ABS
6. Cap	ABS

Engineer's Approval

Job Name / # _____

Contractor _____ Date _____

Job Location _____

Engineer _____ Date _____