

## FULL PORT W/ DRAIN • 250 WOG • PRESS ENDS • LEAD FREE

Press Ball valves with press-to-connect end connections are quick and easy to install. The press systems ball valve design includes a leak-detection feature.

### Features

- Dezincification resistant lead free brass
- Press conform to ANSI Z1157
- Forged brass body
- Blow out proof brass stem
- Packing nut, o-ring & packing on the stem seal
- Stainless steel ball
- Handle with vinyl grip

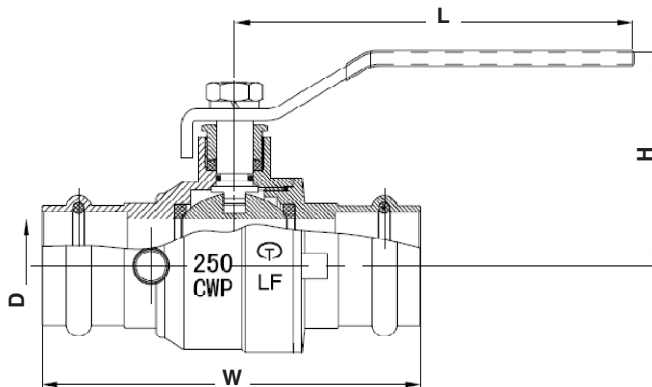
### Specifications & Approvals

Max Pressure Rating: 250 psi WOG / 150 psi WSP  
 Temperature Range: -20°F to 300°F  
 IAPMO: NSF/ANSI-61, NSF/ANSI-372, IGC-157



### Dimensions

Part#	Size	D	L	H	W	Cv
310D012-NL	1/2"	0.591	3.46	1.81	3.35	18.55
310D034-NL	3/4"	0.748	4.29	2.09	3.76	29.76
310D001-NL	1"	0.984	4.29	2.25	4.07	51.55



### Material Specifications

Part Name	Material
<b>Body</b>	Brass C46500
<b>Seat</b>	PTFE
<b>Ball</b>	SS304
<b>Stem O-Ring</b>	NBR
<b>Packing Nut</b>	Brass C37700
<b>Stem</b>	Brass C37700
<b>Lock Nut</b>	Ferrum / Zinc Plated
<b>Lock Washer</b>	Ferrum / Zinc Plated
<b>Packing</b>	PTFE
<b>Handle</b>	Ferrum / Chrome Plated
<b>Body O-Ring</b>	FKM
<b>Press O-Ring</b>	EPDM
<b>Drain Cap</b>	Brass
<b>Drain Washer</b>	EPDM