

Specifications & Approvals

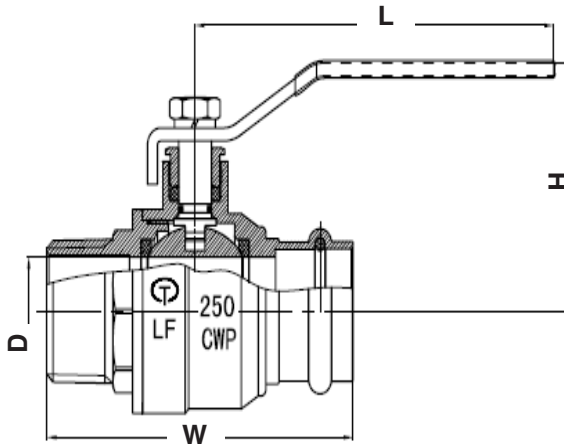
Dezincification Resistant Lead Free Brass
 Brass Body
 Press end Conform to ANSI Z1157
 Stainless Steel Ball
 Blow Out Proof Brass Stem
 Packing Nut, O-Ring & Packing On The Stem Seal
 Handle with Vinyl Grip



Specifications & Approvals

250 psi (WOG) 150 psi (WSP) Service
 Temperature Range: -20° F to 300° F

IAPMO: 1/2" - 2" NSF/ANSI-61, NSF/ANSI-372, IGC-157



DIMENSIONS

Part#	Size	D	L	H	W	Cv
320M012-NL	1/2"	0.591	3.46	1.81	2.97	18.55
320M034-NL	3/4"	0.748	4.29	2.09	3.39	29.76
320M001-NL	1"	0.984	4.29	2.25	3.66	51.55
320M114-NL	1-1/4"	-	-	-	-	-
320M112-NL	1-1/2"	-	-	-	-	-
320M002-NL	2"	-	-	-	-	-

*Note: Information subject to change without notice.

MATERIAL SPECS

Part Name	Material
Body	Lead Free Brass
Seat	PTFE
Ball	SS304
Stem O-Ring	NBR
Packing Nut	Brass
Stem	Brass
Lock Nut	Ferrum /Zinc Plated
Lock Washer	Ferrum /Zinc Plated
Packing	PTFE
Handle	Ferrum /Chrome Plated
Cap	Lead Free Brass
Body O-Ring	FKM
Press O-Ring	EPDM