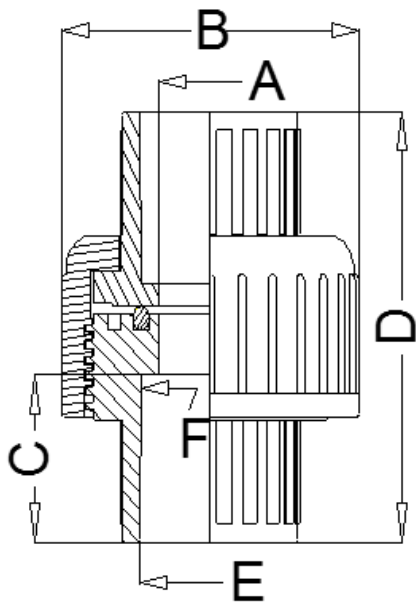


**Features**

- Fits Schedule 40 Pipe
- Compatible with PVC Piping
- Not Suitable for Compressed Air or Steam Service Applications
- EPDM O-Ring

**Specifications & Approvals**

150 PSI at 73°F  
 Solvent comply with ASTM D2467  
 NSF Listed to NSF 14 & 61



**Dimensions**

Part#	Size	A (in)	B (in)	C (in)	D (in)	E (in)	F (in)
395CU012	1/2"	0.590	2.165	0.875	2.205	0.848	0.836
395CU034	3/4"	0.787	2.571	1.000	2.531	1.068	1.046
395CU100	1"	0.984	2.890	1.125	2.835	1.325	1.310
395CU114	1-1/4"	1.260	3.157	1.250	3.098	1.670	1.656
395CU112	1-1/2"	1.576	3.653	1.375	3.425	1.912	1.894
395CU200	2"	1.968	4.094	1.500	3.680	2.387	2.369
395CU212	2-1/2"	2.3621	5.114	2.199	4.492	2.889	2.868
395CU300	3"	2.939	5.681	2.370	4.902	3.516	3.492
395CU400	4"	3.829	7.126	2.720	5.720	4.518	4.491

**Materials**

Part Name	Material
1. Nut	PVC
2. End Connector	PVC
3. O-Ring	EPDM
4. Body	PVC