

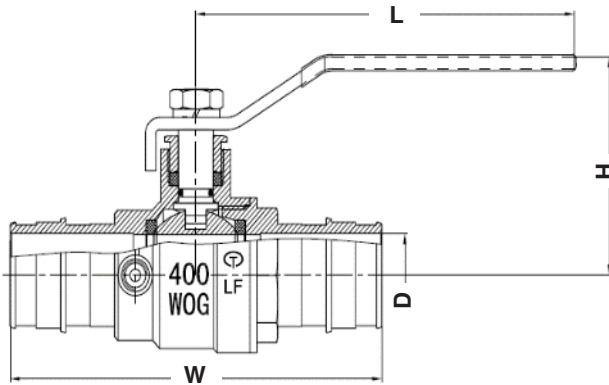
FULL PORT W/ DRAIN • 400 WOG • PROPEX F1960 • BRASS BODY • LEAD FREE

Features

- Lead Free Brass
- Brass Body
- Packing Nut, O-Ring & Packing On The Stem Seal
- Stainless Steel Ball
- Blow Out Proof Brass Stem
- Handle with Vinyl Grip

Specifications & Approvals

PROPEX end Conform to ASTM F1960
 400 psi (WOG) 150 psi (WSP) Service
 Temperature Range: -20° F to 300° F
 IAPMO: 1/2" - 1" NSF/ANSI-61, NSF/ANSI-372,
 NSF/ANSI-14



Dimensions

Part#	Size	D	L	H	W	Cv
405F012-NL	1/2"	0.394	3.46	1.69	2.89	8.23
405F034-NL	3/4"	0.611	3.46	1.81	3.48	19.80
405F001-NL	1"	0.812	4.29	2.09	4.23	34.98

Material Specifications

Part Name	Material
Body	Lead Free Brass
Seat	PTFE
Ball	SS304
Stem O-Ring	NBR
Packing Nut	Brass
Stem	Brass
Lock Nut	Ferrum / Zinc Plated
Lock Washer	Ferrum / Zinc Plated
Packing	PTFE
Handle	Ferrum / Chrome Plated
Cap	Lead Free Brass
Drain Cap	Brass
Drain Washer	EPDM