

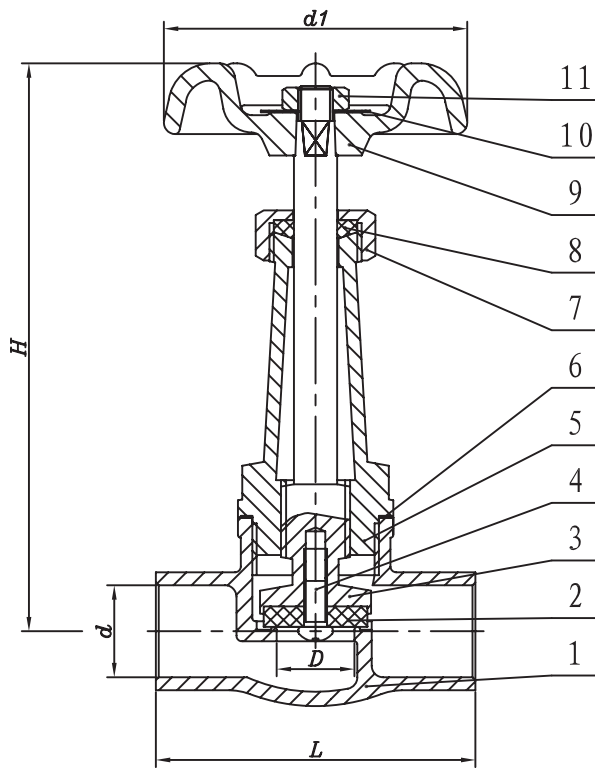
SWEAT ENDS • LEAD FREE

Features

- Cast Brass Body
- Long bonnet allows ease of access
- Lead Free

Specifications & Approvals

Temperature Rating is 180°F
 Pressure Rating 125 PSI WWP. NON SHOCK
 Manufactured in an ISO:9001 compliant facility
 Conforms to NSF/ANSI 372-201



Dimensions

Part#	Size	H	L	D	d	d1
43121-NL	1/2"	104.7	55.5	13.5	16	53
43341-NL	3/4"	104.7	69	13.5	22.3	53

Material Specifications

Part Name	Material
1. Body	CuZn39Pb3
2. Gasket	NBR
3. Stem	CuZn39Pb3
4. Crossed Screw	CuZn39Pb3
5. Cap	CuZn39Pb3
6. Gasket	PTFE
7. Gland Nut	CuZn39Pb3
8. Stuffing	PTFE
9. Handwheel	Cast Iron
10. Nameplate	Al
11. Nut	Q235