

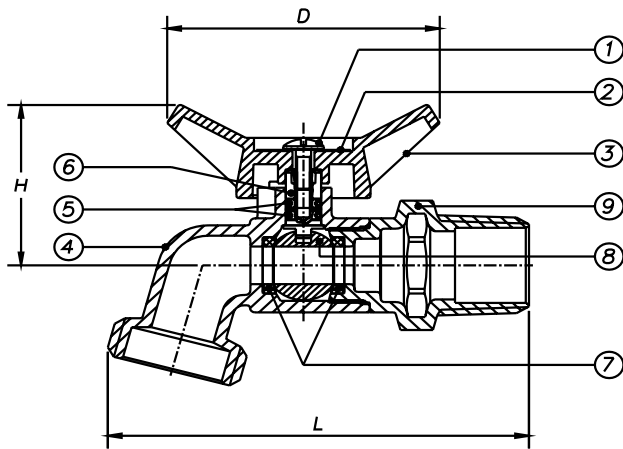
QUARTER TURN HOSE BIB • MHT OUTLET

Features

- 1/4 Turn Ball Style Valve
- Aluminum Handle
- 3/4 MHT Outlet
- Cast Brass
- Available in lead free

Specifications & Approvals

Temperature Rating 200°F
 Pressure Rating 125 PSI
 Manufactured in ISO 9001 Facility



Dimensions (mm)

Part#	Size	H	L	D
46121	1/2" MIP/SWT x 3/4" MHT	34	82.5	53.5
46341	3/4" MIP/1/2" FIP x 3/4" MHT	34	83.5	53.5
46121-NL	1/2" MIP/SWT x 3/4" MHT	34	82.5	53.5
46341-NL	3/4" MIP/1/2" FIP x 3/4" MHT	34	83.5	53.5

Material Specifications

Part Name	Material	Material No Lead
1. Handle Bolt	Stainless Steel (304)	Stainless Steel (304)
2. Name Plate	Aluminum	Aluminum
3. Handle	Aluminum	Aluminum
4. Body	Brass C85700	Brass C89550
5. O-Ring	Rubber NBR	Rubber NBR
6. Stem	Brass C37700	Brass C46400
7. Ball Packing	PTFE	PTFE
8. Ball	Brass C37700	Brass C46400
9. Bonnet	Brass C85700	Brass C89550
10. Sleeve	Brass C37700	Brass C46400
11. Nut	Brass C37700	Brass C37700