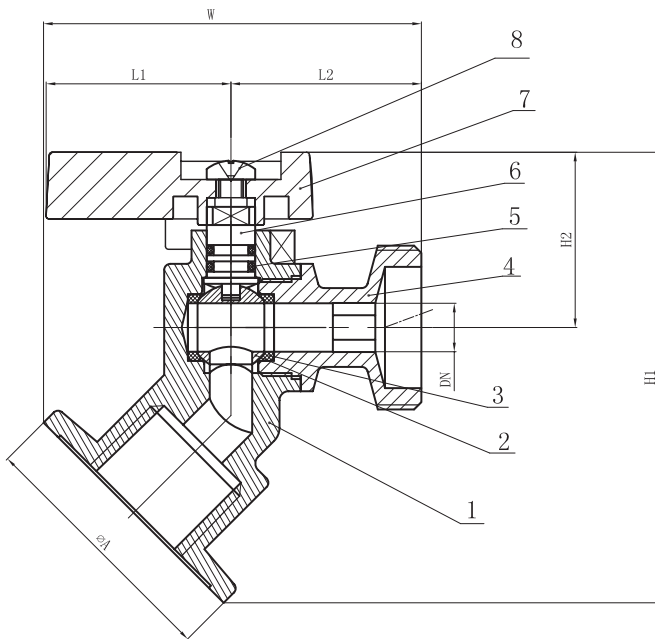


**Features**

- Brass Body
- 1/4 Turn Ball Style Valve
- Aluminum Butterfly Handle
- 3/4" MHT Outlet

**Specifications & Approvals**

Compliant With : ASME A112.18.1-2011/CSA B125.1-11  
NSF/ANSI 372 Compliant



**Dimensions**

Part#	Size	DN	W	L1	L2	H1	H2	A
47122	1/2"	0.276	2.46	1.2	1.24	2.933	1.14	1.654
47342	3/4"	0.276	2.56	1.2	1.24	3.051	1.14	1.654

**Material Specifications**

Part Name	Material
<b>1. Body</b>	Brass
<b>2. Ball</b>	Brass
<b>3. Seat</b>	PTFE
<b>4. Cap</b>	Brass
<b>5. O-Ring</b>	NBR
<b>6. Stem</b>	Brass
<b>7. Handle</b>	Plated Steel
<b>8. Screw</b>	Al-Alloy