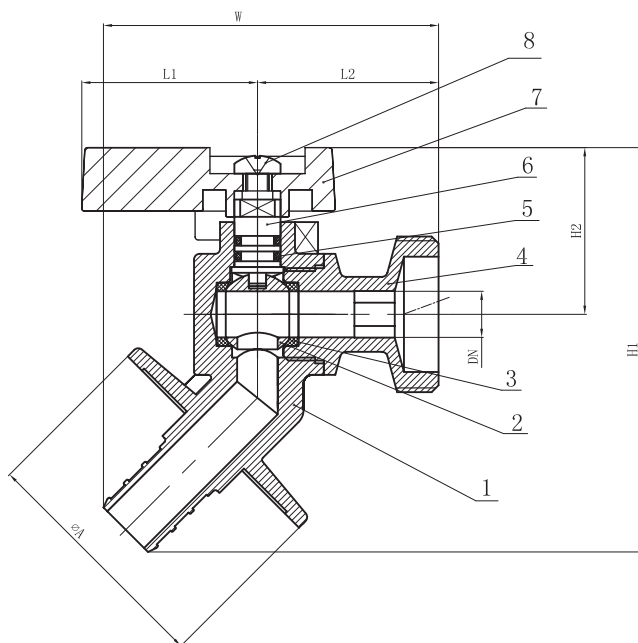


Features

- Brass Body
- Pex End Connection
- 1/4 Turn Ball Style Valve
- Aluminum Butterfly Handle
- 3/4" MHT Outlet

Specifications & Approvals

Compliant With : ASME A112.18.1-2011/CSA B125.1-11



Dimensions

Part#	Size	DN	W	L1	L2	H1	H2	A
47122P	1/2"	0.276	2.29	1.2	1.24	2.76	1.14	1.654
47342P	3/4"	0.276	2.50	1.2	1.24	2.97	1.14	1.654

Material Specifications

Part Name	Material
1. Body	Brass
2. Ball	Brass
3. Seat	PTFE
4. Cap	Brass
5. O-Ring	NBR
6. Stem	Brass
7. Handle	Plated Steel
8. Screw	Al-Alloy