

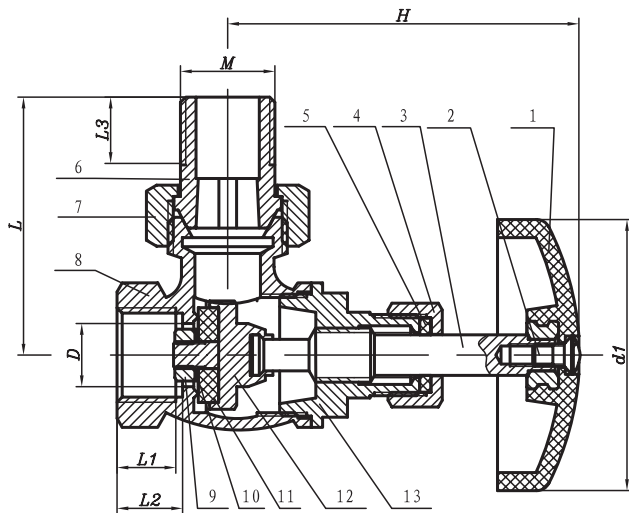
BRASS BODY • FIP X MALE UNION

Features

- Brass Body
- Steam Radiator Angle Valve
- FIP x Male Union

Specifications & Approvals

Manufactured in an ISO-9002 compliant facility
 15 WSP - 60 WOG
 Sizes 1/2" - 1-1/2"



Dimensions (mm)

Part #	Size	H	D	d1	L	L1	L2	L3
48112	1/2"	69	14	60	57.5	13	14.5	15
48342	3/4"	72.2	20	60	59.5	14	16	15
48120	1"	79.5	24	60	64.5	15	17.5	16
48142	1-1/4"	85	30	60	79	16	18	20
48112	1-1/2"	89	30	60	90.5	21.5	23	23

Material Specifications

Part Name	Material
1. Handwheel	ABS
2. Crossed Screw	Q235
3. Stem	CuZn39Pb3
4. Gland Nut	CuZn39Pb3
5. Gasket	PTFE
6. Bonnet	CuZn39Pb3
7. Nut	CuZn39Pb3
8. Body	CuZn39Pb3
9. Nut	CuZn39Pb3
10. Gasket	Q235
11. Gasket	NBR
12. Disc	CuZn39Pb3
13. Bonnet	CuZn39Pb3