

## BRASS BODY

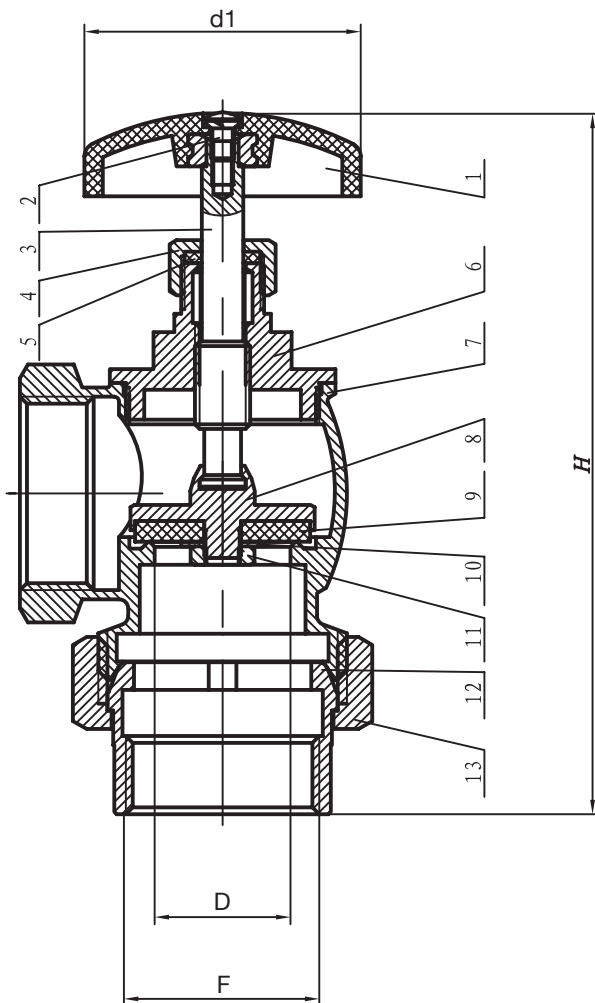
### Features

- Brass Body
- Female Union x FIP Connection
- Radiator Steam Convecter valve
- Stocked in Sizes 1 & 1-1/4

### Specifications & Approvals

15 WSP 60 WOG

Manufactured in an ISO 9002 Compliant facility



### Dimensions (mm)

Part #	Size	H	D	d1	F
48130	1"	134.5	24.5	60	NPT1
48143	1-1/4"	161.5	29.5	60	NPT1-1/4

### Material Specifications

Part Name	Material
1. Handwheel	ABS
2. Crossed Screw	Q235
3. Stem	CuZn39Pb3
4. Gland Nut	CuZn39Pb3
5. Gasket	PTFE
6. Bonnet	CuZn39Pb3
7. Body	CuZn39Pb3
8. Disc	CuZn39Pb3
9. Gasket	NBR
10. Gasket	Q235
11. Nut	CuZn39Pb3
12. Bonnet	CuZn39Pb3
13. Nut	CuZn39Pb3