

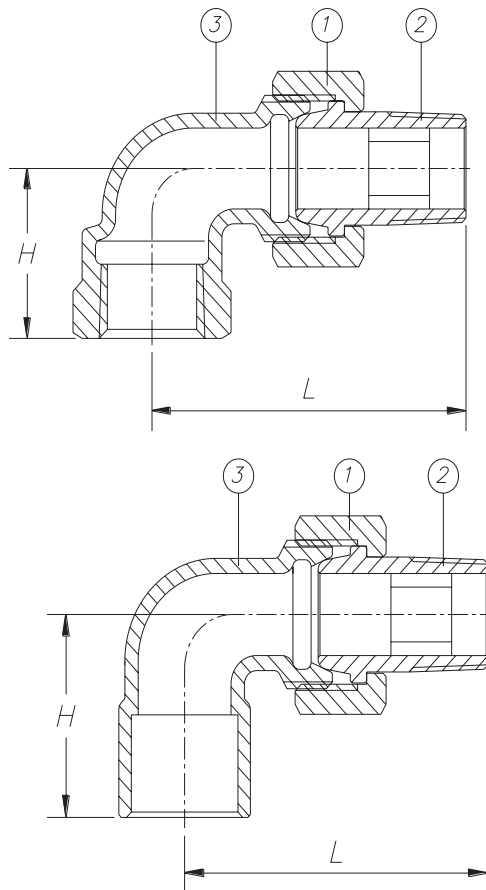
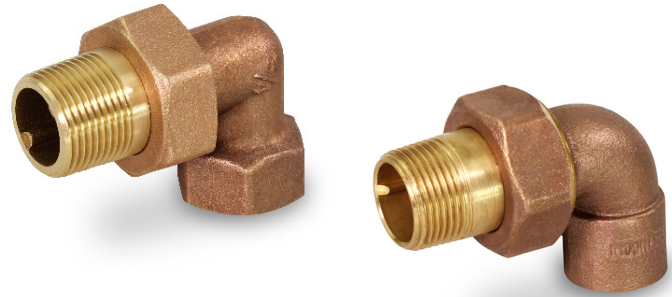
IPS & SWEAT • BRASS BODY

Features

- Brass Body
- Brass Union Elbow w/ Nut & Tailpiece
- Threaded ends
- Designed for a heating application
- End connections available in Both IPS and Sweat

Specifications & Approvals

Manufactured in an ISO-9002 Compliant facility



Dimensions (mm) - FIP X MIP

Part #	Size	L	H
48212	1/2" x 1/2"	57.5	28
48234	3/4" x 3/4"	65.5	31.5
4821	1" x 1"	74	35.5
48214	1-1/4" x 1-1/4"	85	45.5

Dimensions (mm) - FCXC X MIP

Part #	Size	L	H
48312	1/2" x 1/2"	53.5	31.3
48334	3/4" x 3/4"	62	38.3

Material Specifications

Part Name	Brass Regular	Bronze Regular	Brass No Lead	Bronze No Lead
1. Nipple Nut	Brass C37700	Bronze C84400 Bronze C83600	Brass C37700	Bronze C84400 Bronze C83600
2. Nipple	Brass C37700	Bronze C84400 Bronze C83600	Brass C46400 MOD	Bronze C89844 MOD
3. Body	Brass C85700	Bronze C84400 Bronze C83600	Brass C46400 MOD	Bronze C89844 MOD