

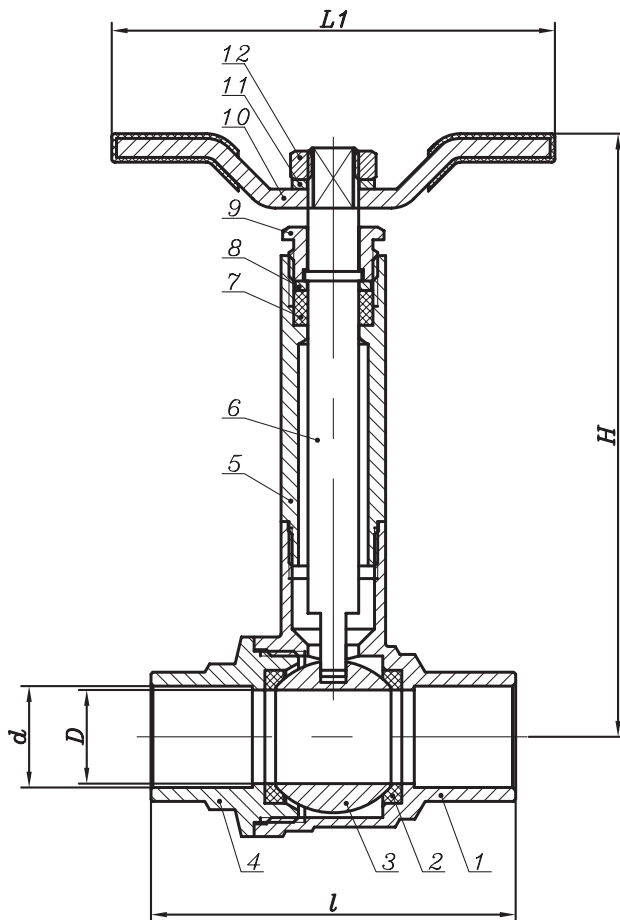
**BRASS BODY • SWEAT ENDS • T-HANDLE • LEAD FREE**

## Features

- Long Bonnet T- handle allows easy shutoff access
- Solder Ends
- Forged brass Body
- Chrome plated ball
- Lead free Compliant
- Available Sizes 1/2" & 3/4"

## Specifications & Approvals

175 psi steam 600 psi WOG  
 Temperature range is 20°F to 240°F.



### Dimensions

Part #	Size	H	D	d	L	L1
53121-NL	1/2"	96.5	14.8	16	58.7	70.5
53341-NL	3/4"	98.5	19	22.3	71.7	103

### Material Specifications

Part Name	Material
1. Body	Brass C38500
2. Seat Seal	PTFE
3. Ball	Brass C38500
4. Bonnet	Brass C38500
5. Bonnet	Brass C38500
6. Stem	Brass C38500
7. Gasket	PTFE
8. Gasket	Brass C38500
9. Gland Nut	Brass C38500
10. Handle	Hot-Rolled Steel Plated
11. Gasket	Hot-Rolled Steel Plated
12. Nut	Hot-Rolled Steel Plated