

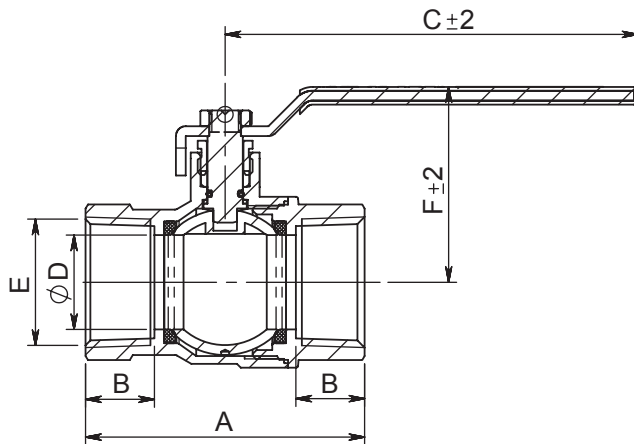
THREADED ENDS • CSA APPROVED • LEAD FREE • FULL PORT • 600 WOG

Features

- Dezincification Resistant (DZR) Lead Free Brass Material
- Forged Brass Body
- Stainless Steel Ball 1-1/4"-2", Chrome Plated Ball 1/2"-1"
- PTFE Stem Packing Seal and Seats
- Blow Out Proof Stem
- Lever Handle With Vinyl Grip

Specifications & Approvals

Threaded Ends Conform to ANSI B1.20.1
 600 WOG 150 WSP
 Temperature Range : -20°F to 300°F
 Conforms to NSF/ANSI-61/372, IGC-157
 ISO:9001 Approved Manufacturer



Dimensions

| Part # | Size | A | B | C | D | E | F |
|------------|--------|-------|------|-------|------|----------------|------|
| 605T012-NL | 1/2" | 54.6 | 15.3 | 78.0 | 13.0 | 1/2" 14NPT | 39.0 |
| 605T034-NL | 3/4" | 60.6 | 15.8 | 105.0 | 18.0 | 3/4" 14NPT | 45.0 |
| 605T001-NL | 1" | 73.0 | 18.5 | 105.0 | 24.0 | 1" 11.5NPT | 49.5 |
| 605T114-NL | 1-1/4" | 82.6 | 18.5 | 125.0 | 30.5 | 1-1/4" 11.5NPT | 63.0 |
| 605T112-NL | 1-1/2" | 91.6 | 19.0 | 125.0 | 37.0 | 1-1/2" 11.5NPT | 68.0 |
| 605T002-NL | 2" | 107.5 | 19.0 | 180.0 | 49.5 | 2" 11.5NPT | 81.5 |

Material Specifications

| Part Name | Material |
|---------------|------------------------------------|
| Hex-Nut | Steel |
| Handle | Steel |
| Packing Nut | Local Brass |
| Packing Gland | PTFE |
| O-Ring | EPDM |
| Washer | PTFE |
| Stem | Brass |
| Body | C46500 |
| Ball | 1/2" - 1" C46500 1-1/4" - 2" Steel |
| Seat | PTFE |
| Bonnet | C46500 |