

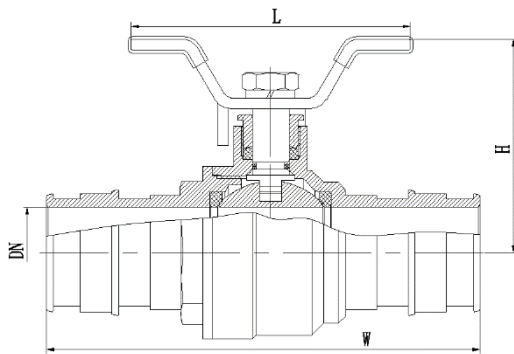
BRASS BODY • F1960 X F1960 • LEAD FREE

Features

- Dezincification Resistant (DZR) Lead Free Brass Material
- PROPEX end Conform To ASTM F1960
- Forged Brass Body
- Blow Out Proof Stem Design
- Packing Nut, O-RING & Packing On The Stem Seal
- Stainless Steel Ball
- Handle With Vinyl Grip

Specifications & Approvals

400 psi (WOG) 150 psi (WSP) Service
 Temperature Range : -20°F to 300°F
 Conforms to 1/2"-1" Per NSF/ANSI-61, NSF/ANSI-372,
 NSF/ANSI-14



Dimensions

Part#	Size	D	L	H	W	Cv
615F012-NL	1/2"	0.394	2.38	1.40	2.58	4.04
615F034-NL	3/4"	0.611	2.99	1.44	3.31	8.23
615F100-NL	1"	0.812	2.99	1.85	3.98	19.80

Material Specifications

Part Name	Material
Body	Lead Free Brass
Seat	PTFE
Ball	Stainless Steel
Stem O-Ring	NBR
Packing Nut	Brass
Stem	Brass
Lock Nut	Ferrum /Zinc Plated
Lock Washer	Ferrum /Zinc Plated
Packing	PTFE
Handle	Ferrum /Chrome Plated
Cap	Lead Free Brass