

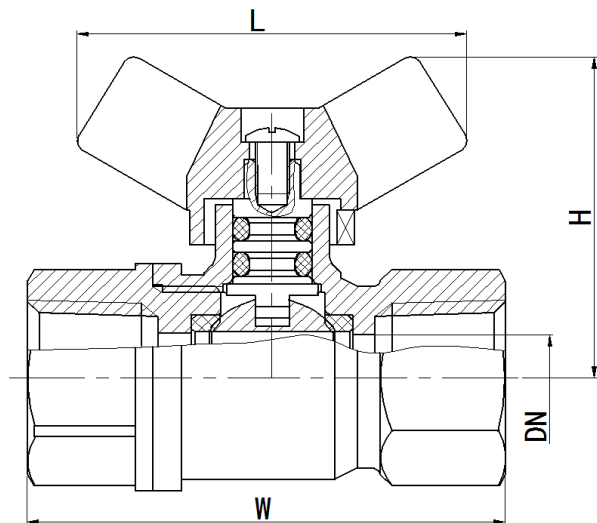
BRASS BODY • FEMALE NPT X FEMALE NPT • LEAD FREE

**Features**

- Dezincification Resistant (DZR) Lead Free Brass Material
- Thread Conform ANSI B1.20.1
- Forged Brass Body
- Blow Out Proof Stem Design
- Lead Free Brass Ball

**Specifications & Approvals**

600 psi (WOG) 150 psi (WSP) Service  
 Temperature Range : -20°F to 300°F  
 Conforms to NSF/ANSI-61, NSF/ANSI-372 ,IGC-157



**Dimensions**

Part#	Size	D	L	H	W	Cv
615FF014-NL	1/8"	0.295	1.34	1.18	1.65	4.63
615FF018-NL	1/4"	0.295	1.34	1.18	1.65	4.63

**Material Specifications**

Part Name	Material
Body	Lead Free Brass
Seat	PTFE
Ball	Lead Free Brass
Stem O-Ring	NBR
Screw	Plated Steel
Stem	Brass
Handle	Al alloy
Cap	Lead Free Brass