

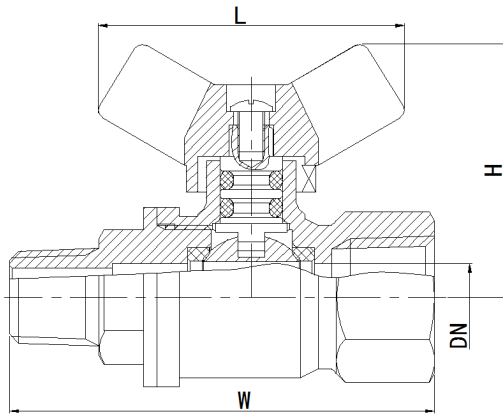
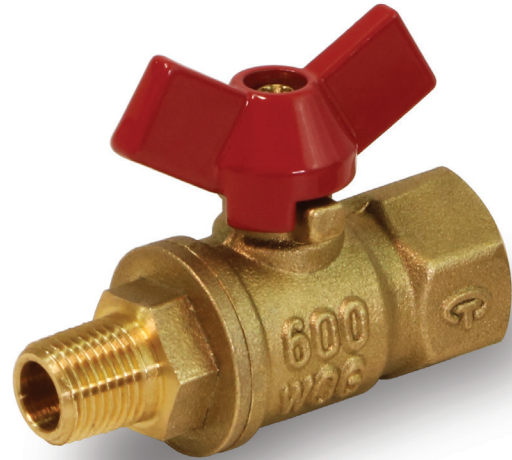
BRASS BODY • FEMALE NPT X MALE NPT • LEAD FREE

Features

- Dezincification Resistant (DZR) Lead Free Brass Material
- Thread Conform ANSI B1.20.1
- Forged Brass Body
- Blow Out Proof Stem Design
- Lead Free Brass Ball

Specifications & Approvals

600 psi (WOG) 150 psi (WSP) Service
 Temperature Range : -20°F to 300°F
 Conforms to NSF/ANSI-61, NSF/ANSI-372 ,IGC-157



Dimensions

Part#	Size	D	L	H	W	Cv
615MF014-NL	1/8"	0.295	1.34	1.18	1.87	4.63
615MF018-NL	1/4"	0.295	1.34	1.18	1.93	4.63

Material Specifications

Part Name	Material
Body	Lead Free Brass
Seat	PTFE
Ball	Lead Free Brass
Stem O-Ring	NBR
Screw	Plated Steel
Stem	Brass
Handle	Al alloy
Cap	Lead Free Brass