

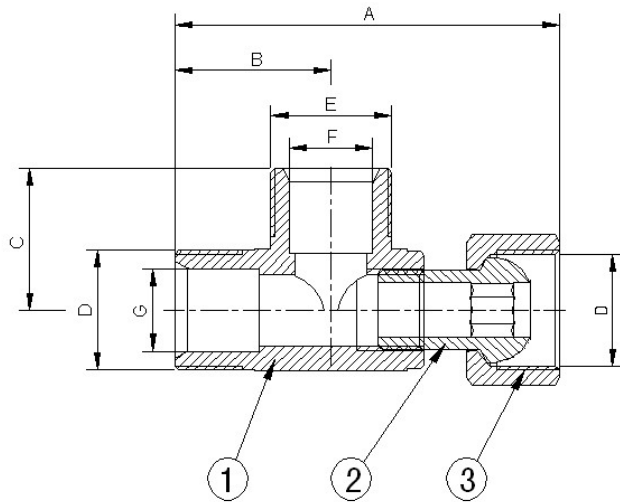
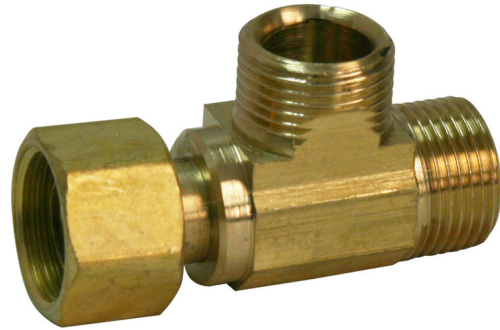
FEMALE COMP X MALE COMP X MALE COMP • LEAD FREE

Features

- Brass Body
- Attaches to outlet of stop valve to give you two outlets
- Lead free

Specifications & Approvals

Pressure Rating is 125 PSI
 Temperature Rating is 160°F



Dimensions

| Part# | Size | A | B | C | D | E | F | G |
|----------|------|------|------|------|---------|---------|------|------|
| 73314-NL | 1/4" | 1.79 | 0.73 | 0.60 | 9/16-24 | 9/16-24 | 0.26 | 0.39 |
| 73338-NL | 3/8" | 1.79 | 0.73 | 0.66 | 9/16-24 | 7/16-24 | 0.39 | 0.39 |

Material Specifications

| Part Name | Material |
|-----------|----------|
| 1. Body | Brass |
| 2. Joint | Brass |
| 3. Nut | Brass |