

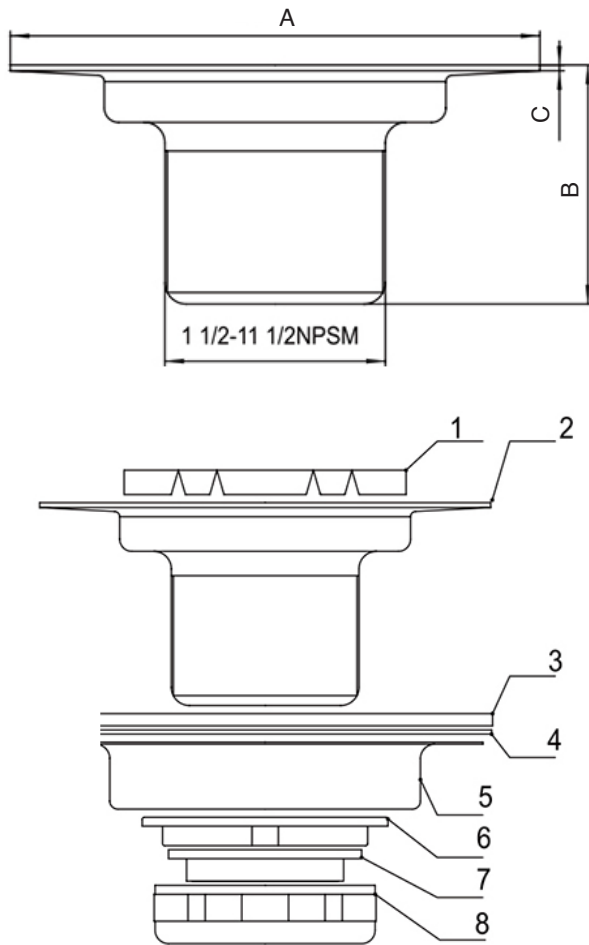
STAINLESS STEEL • LEAD FREE

Features

- Stainless Steel
- Flat Top

Specifications & Approvals

- 4 -1/2" Flange
- Fits sinks with 3-1/2" to 4" opening



Dimensions

Part#	A	B	C
7581	111.1	50	1.0

Material Specifications

Part Name
1. Drain Guard
2. Body
3. Rubber Gasket
4. Paper Washer
5. Casing
6. Lock Nut
7. Plastic Flange
8. Connect Nut