

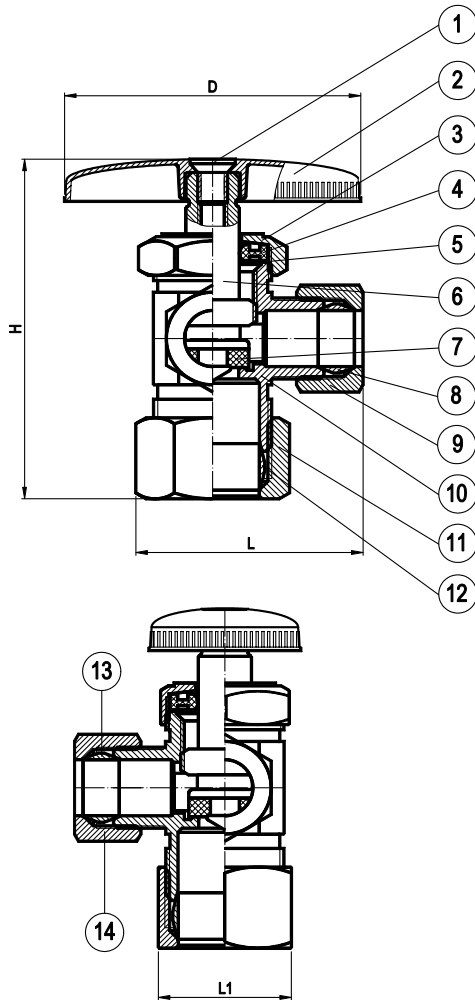
LEAD FREE • MULTI TURN ANGLE DESIGN • CHROME PLATED BRASS BODY

Features

- One-piece Chrome Plated Brass Body Provides Strength, Durability and Long-Lasting Performance
- Oval Chrome Plated Zinc Handle Provides a Secure Grip and Smooth On/Off Operation
- Easy-to-Remove Handle with Screw Attachment
- Self Lubricating PTFE Seats and Double O-Ring for Added Safety
- Individually Bagged and Barcoded

Specifications & Approvals

125 psi Working Temperature: 160°F
 Conforms to ASME A112.18.1-2011/CSA B125.1-11
 NSF/ANSI 61/372



Dimensions

Part#	Size	H	L	L1	D
76358PR-NL	5/8" OD x 3/8" OD x 3/8" OD	58.7	39.3	23	51.2

Material Specifications

Part Name	Material
1. Bolt	JIS 3260 C2600W
2. Handle	Zinc Z30A 99,90-99, 95%
3. Bonnet	Brass B124 C37700
4. Packing	SE-719F / SN-719F
5. Washer	Stainless Steel 304
6. Stem	Brass C46400
7. Seat Packing	SE719F / SN-719F
8. Sleeve	Brass C27000
9. Packing Nut	Brass B124 C37700
10. Body	Brass C46400
11. Packing Nut	Brass B124 C37700
12. Sleeve	Brass C27000
13. Sleeve	Brass C27000
14. Packing Nut	Brass B124 C37700