

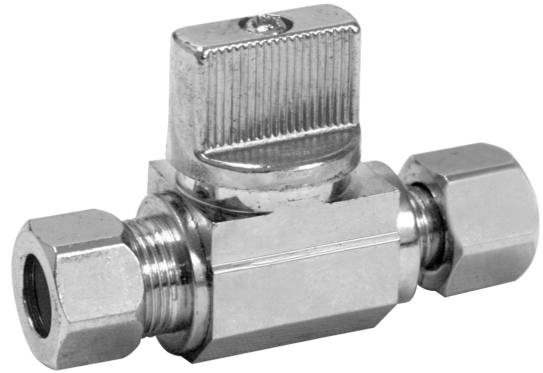
CHROME PLATED • FIP COMP X MALE COMP • LEAD FREE

Features

- Forged & polished chrome plated body
- Quarter Turn operation
- Self lubricating Teflon seals
- Double “O”ring for safety

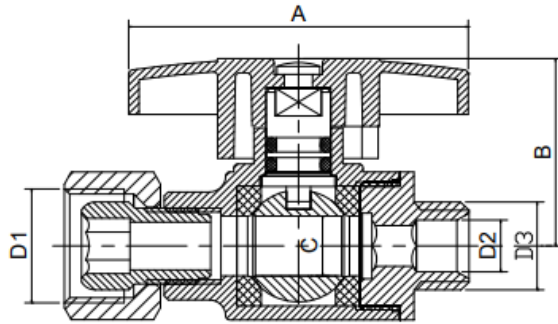
Specifications & Approvals

Working Pressure 125 psi
 Available for Copper, Iron, CPVC, PEX tube
 Comply with ASME A112.18.1,
 CSA B125.1, NSF/ANSI 61
 cUPC and NSF61 approved



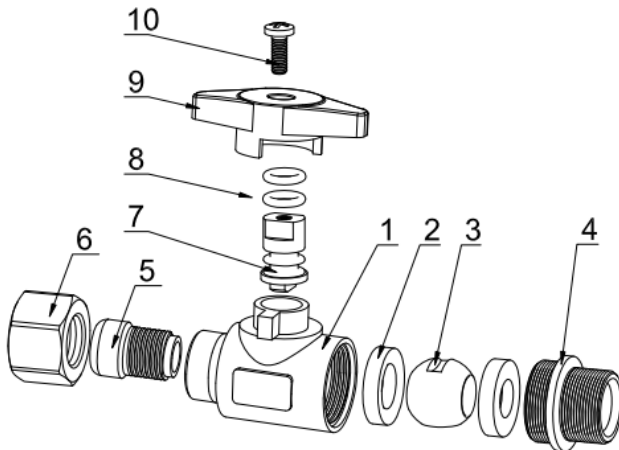
Dimensions (Inches)

Part#	Size	A	B	C	D1	D2/D3
82314PR-NL	3/8" x 1/4"	1.654	0.923	0.295	9/16-24UNEF	0.256/7/16-24UNS



Material Specifications

Part Name	Material
1. Body	Lead Free Brass
2. Seat	PTFE
3. Ball	Lead Free Brass
4. Bonnet	Lead Free Brass
5. Fitting	Lead Free Brass
6. Nut	Brass
7. Stem	Brass
8. O-Ring	EPDM
9. Handle	Zn
10. Lock Nut	SS304



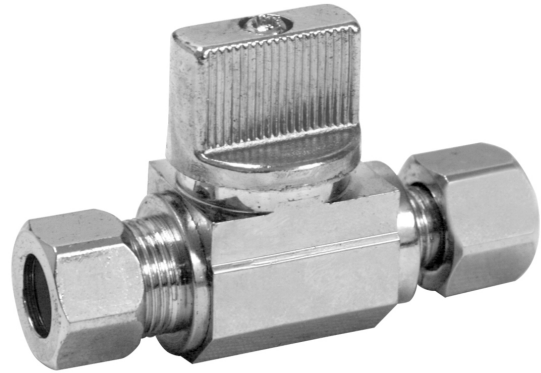
CHROME PLATED • FIP COMP X MALE COMP • LEAD FREE

Features

- Forged & polished chrome plated body
- Quarter Turn operation
- Self lubricating Teflon seals
- Double “O”ring for safety

Specifications & Approvals

Working Pressure 125 psi
 Available for Copper, Iron, CPVC, PEX tube
 Comply with ASME A112.18.1,
 CSA B125.1, NSF/ANSI 61
 cUPC and NSF61 approved



Dimensions (Inches)

Part#	Size	A	B	C	D1	D2
82338PR-NL	3/8" x 3/8"	1.654	0.923	0.295	9/16-24UNEF	0.382

Material Specifications

Part Name	Material
1. Body	Lead Free Brass
2. Seat	PTFE
3. Ball	Lead Free Brass
4. Bonnet	Lead Free Brass
5. Fitting	Lead Free Brass
6. Nut	Brass
7. Stem	Brass
8. O-Ring	EPDM
9. Handle	Zn
10. Lock Nut	SS304
11. Fitting	Lead Free Brass

