

SWEAT X COMP • 5" EXTENSION TUBE • CHROME PLATED • LEAD FREE

Features

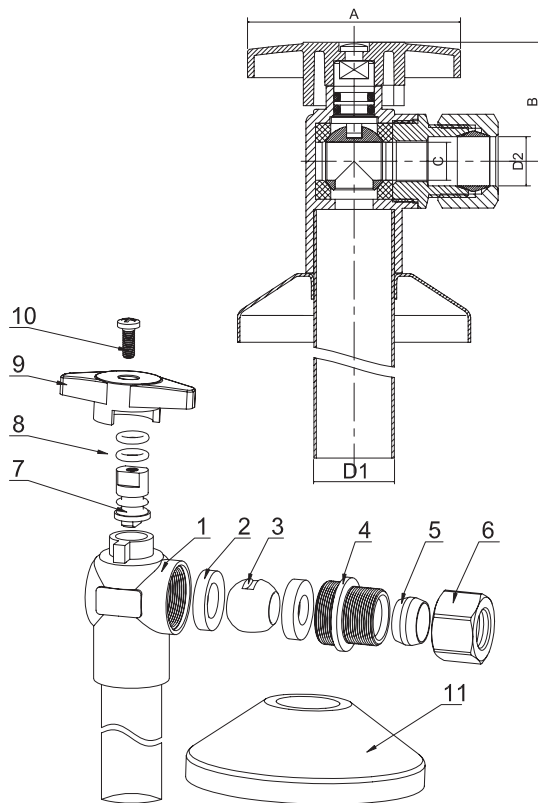
- Quarter turn operation
- Self lubricating PTFE seals
- Double o-ring for safety
- Available for copper, iron, CPVC, PEX tube

Specifications & Approvals

Temperature Rating: 40° to 140°F

Pressure Rating: 125 psi

Conforms to ASME A112.18.1, CSA B125.1, NSF/ANSI 61 cUPC and NSF61 approved



Dimensions

Part #	Size	A	B	C	D1	D2
83212PR-NL	1/2"	1.654	0.974	0.295	0.63	0.382

Material Specifications

Part Name	Material
1. Body	Lead Free Brass
2. Seat	PTFE
3. Ball	Lead Free Brass
4. Bonnet	Lead Free Brass
5. Comp. Ring	Brass
6. Nut	Brass
7. Stem	Brass
8. O-Ring	EPDM
9. Handle	Zn
10. Lock Nut	SS304
11. Bedeck	H62