

**FULL PORT • SWEAT END**

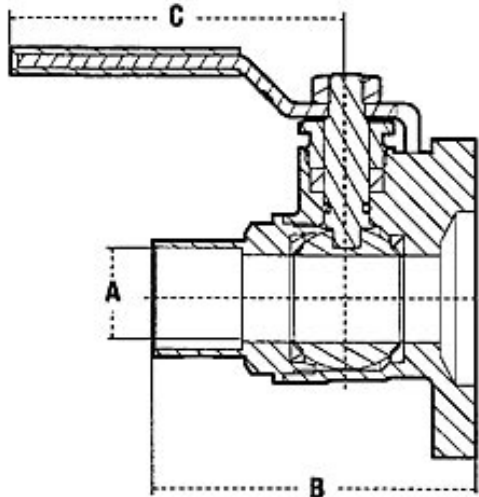


## Features

- Brass body and flange
- Ball valve design
- O-Ring seal
- Supplied with lever handle, bolts, and gasket
- PTFE seats
- Extended body for soldering
- Provides operation and isolation mode

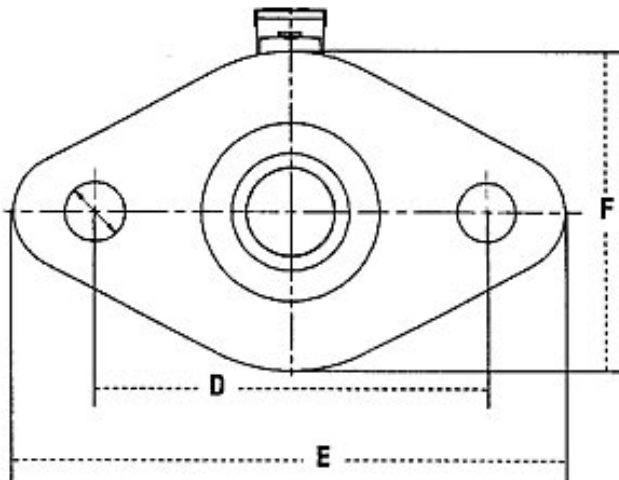
## Specifications & Approvals

600 PSI WOG



### Dimensions

Part#	(A) Size	B	C	D	E	F
890C034	3/4"	3-1/4"	3"	3-3/16"	4-1/16"	2-3/4"
890C001	1"	3-9/16"	3"	3-3/16"	4-1/16"	2-3/4"
890C114	1-1/4"	4"	3"	3-3/16"	4-1/16"	2-3/4"
890C112	1-1/2"	4-5/8"	3"	3-3/16"	4-1/16"	2-3/4"



FULL PORT • THREAD END

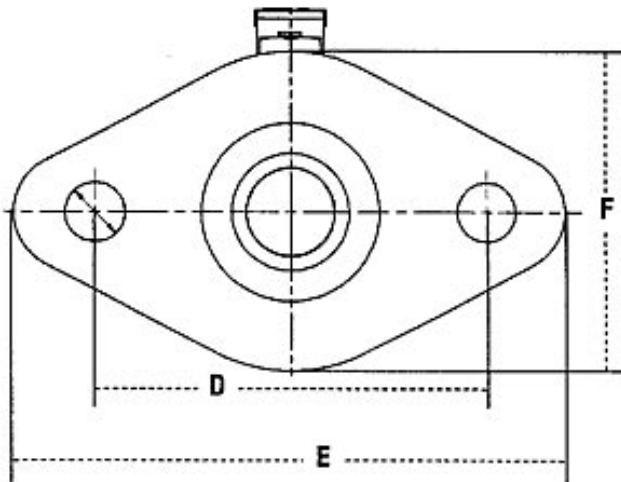
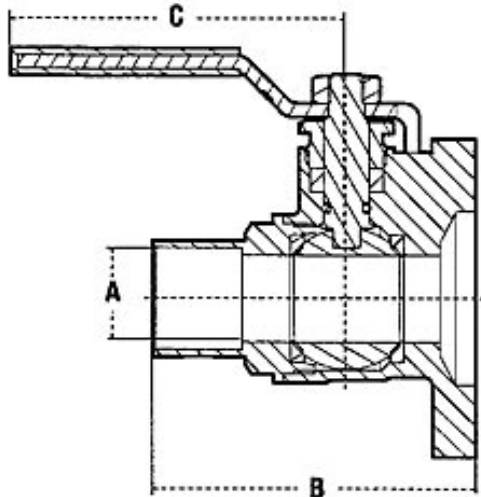


Features

- Brass body and flange
- Ball valve design
- O-Ring seal
- Supplied with lever handle, bolts, and gasket
- PTFE seats
- Extended body for soldering
- Provides operation and isolation mode

Specifications & Approvals

600 PSI WOG



Dimensions

Part#	(A) Size	B	C	D	E	F
890T034	3/4"	3-1/16"	3"	3-3/16"	4-1/16"	2-3/4"
890T001	1"	3-3/8"	3"	3-3/16"	4-1/16"	2-3/4"
890T114	1-1/4"	3-1/2"	3"	3-3/16"	4-1/16"	2-3/4"
890T112	1-1/2"	3-13/16"	3"	3-3/16"	4-1/16"	2-3/4"