

## Features

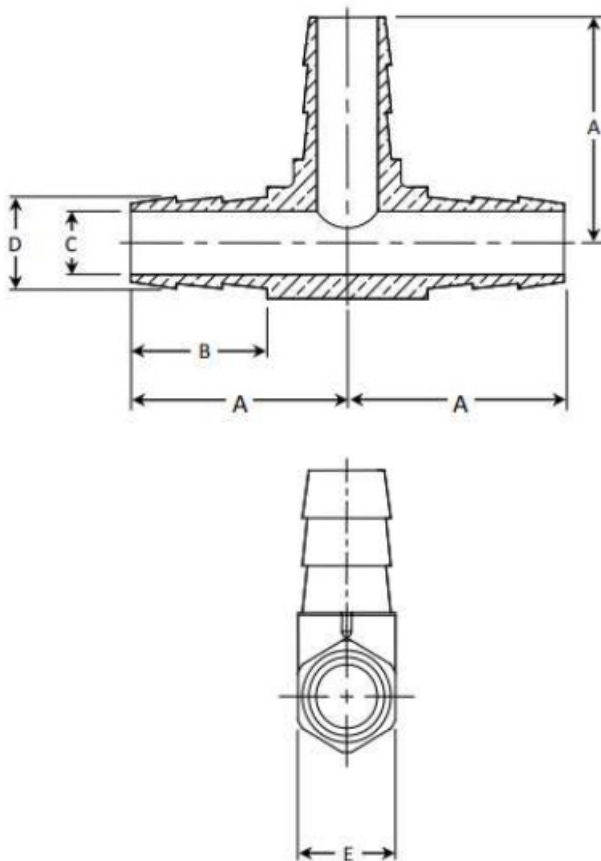
- Manufactured with dry seal pipe threads
- Available in a broad range of configurations
- Lead free product available

## Specifications & Approvals

Temperature: -40° - 160°F

Working Pressure: 150 PSI Maximum

Listings & Certifications: lead free product CSA listed to NSF 372 (Class 6853-01)



## Dimensions

Part#	Size	A	B	C	D	E
<b>B24-38</b>	3/8"	25.5	16.75	7.15	10.50	11.00
<b>B24-14</b>	1/4"	25.5	16.00	4.35	7.35	11.00

## Materials

Part Name	Material
<b>1. Body</b>	Brass

## Features

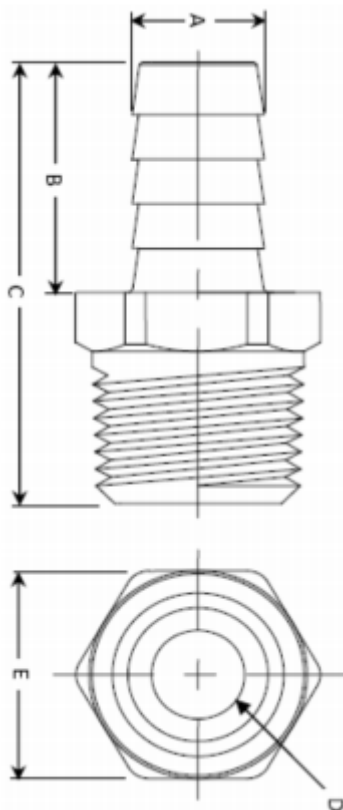
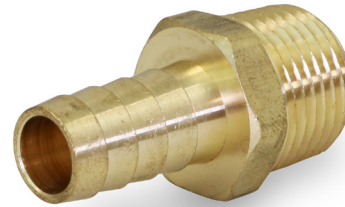
- Manufactured with dry seal pipe threads
- Available in a broad range of configurations
- Lead free product available

## Specifications & Approvals

Temperature: -40° - 160°F

Working Pressure: 150 PSI Maximum

Listings & Certifications: lead free product CSA listed to NSF 372 (Class 6853-01)



## Dimensions

Part#	Size	A	B	C	D	E
B25-18	1/8"	4.70	12.70	25.45	2.50	11.11
B25-14	1/4"	7.35	24.65	41.60	4.55	14.29
B25-38	3/8"	10.55	24.65	42.90	7.10	17.45
B25-12	1/2"	13.50	26.50	45.15	10.25	22.22
B25-34	3/4"	20.10	24.65	50.00	16.50	27.00
B25-01	1"	26.15	24.65	56.90	21.50	34.90
B25-31618	3/16" HB x 1/8"	5.75	17.50	30.30	3.05	11.11
B25-31614	3/16" HB x 1/4"	5.75	17.50	34.50	3.05	14.29
B25-1418	1/4" HB x 1/8"	7.35	24.65	37.40	4.55	11.11
B25-1438	1/4" HB x 3/8"	7.35	24.65	42.90	4.55	17.45
B25-1412	1/4" HB x 1/2"	7.35	24.65	45.15	4.55	22.22
B25-51618	5/16" HB x 1/8"	8.95	24.65	37.40	5.60	11.11
B25-51614	5/16" HB x 1/4"	8.95	24.65	34.50	5.60	14.29
B25-51638	5/16" HB x 3/8"	8.95	24.65	42.90	5.60	17.45
B25-3818	3/8" HB x 1/8"	10.55	24.65	37.40	7.10	11.11
B25-3814	3/8" HB x 1/4"	10.55	24.65	41.60	7.10	14.29
B25-3812	3/8" HB x 1/2"	10.55	24.65	45.20	7.10	22.22
B25-3834	3/8" HB x 3/4"	10.55	24.65	50.00	7.10	27.00
B25-1214	1/2" HB x 1/4"	13.50	26.50	41.60	10.25	14.29
B25-1238	1/2" HB x 3/8"	13.50	26.50	42.90	10.25	17.45
B25-1234	1/2" HB x 3/4"	13.50	26.50	50.00	10.25	27.00
B25-3412	3/4" HB x 1/2"	20.10	24.65	45.15	16.50	22.22
B25-5838	5/8" HB x 3/8"	16.40	24.65	42.85	12.70	17.45
B25-5812	5/8" HB x 1/2"	16.40	24.65	45.15	12.70	22.22
B25-5834	5/8" HB x 3/4"	16.40	24.65	50.00	12.70	27.00
B25-0134	1" HB x 3/4"	26.15	24.65	50.00	21.50	27.00

## Materials

Part Name	Material
1. Body	Brass

## Features

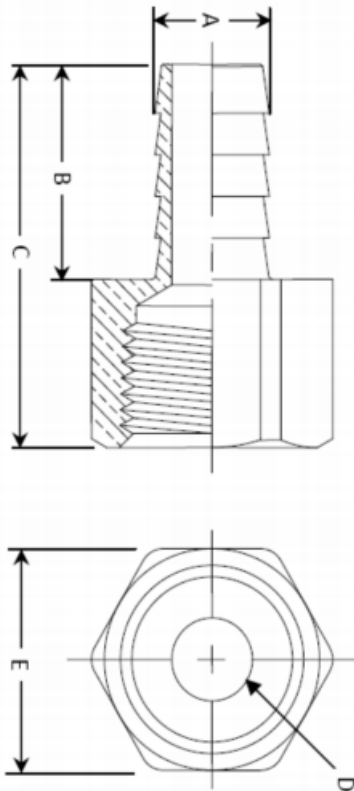
- Manufactured with dry seal pipe threads
- Available in a broad range of configurations
- Lead free product available

## Specifications & Approvals

Temperature: -40° - 160°F

Working Pressure: 150 PSI Maximum

Listings & Certifications: lead free product CSA listed to NSF 372 (Class 6853-01)



## Dimensions

Part#	Size	A	B	C	D	E
<b>B26-18</b>	1/8" HB x 1/8"	4.70	12.70	25.45	2.50	12.70
<b>B26-14</b>	1/4" HB x 1/4"	7.35	24.65	40.15	4.55	15.87
<b>B26-38</b>	3/8" HB x 3/8"	10.55	24.65	41.15	7.10	19.05
<b>B26-12</b>	1/2" HB x 1/2"	13.50	26.50	43.15	10.25	23.80
<b>B26-34</b>	3/4" HB x 3/4"	20.10	24.65	49.55	16.50	34.80
<b>B26-31618</b>	3/16" HB x 1/8"	-	-	-	-	-
<b>B26-31614</b>	3/16" HB x 1/4"	-	-	-	-	-
<b>B26-1418</b>	1/4" HB x 1/8"	7.35	24.65	37.40	4.55	12.70
<b>B26-1438</b>	1/4" HB x 3/8"	7.35	24.65	41.15	4.55	19.05
<b>B26-51618</b>	5/16" HB x 1/8"	8.95	24.65	37.40	5.60	12.70
<b>B26-51614</b>	5/16" HB x 1/4"	8.95	24.65	40.15	5.60	15.87
<b>B26-51638</b>	5/16" HB x 3/8"	8.95	24.65	41.15	5.60	19.05
<b>B26-3818</b>	3/8" HB x 1/8"	-	-	-	-	-
<b>B26-3814</b>	3/8" HB x 1/4"	10.55	24.65	40.15	7.10	15.87
<b>B26-3812</b>	3/8" HB x 1/2"	10.55	24.65	43.15	7.10	23.80
<b>B26-1214</b>	1/2" HB x 1/4"	13.50	26.50	40.15	10.25	15.87
<b>B26-1238</b>	1/2" HB x 3/8"	13.50	26.50	41.15	10.25	19.05
<b>B26-0134</b>	1" HB x 3/4"	-	-	-	-	-

## Materials

Part Name	Material
<b>1. Body</b>	Brass

## Features

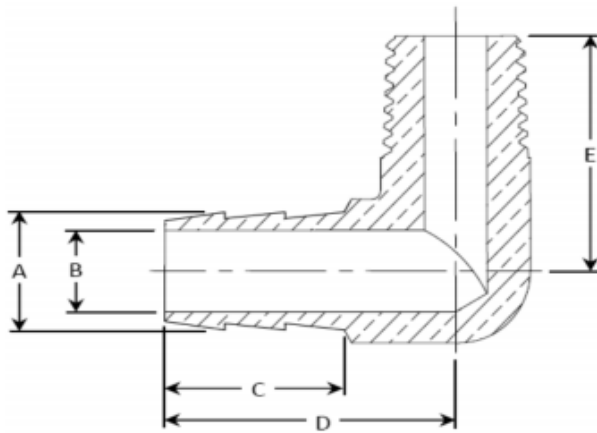
- Manufactured with dry seal pipe threads
- Available in a broad range of configurations
- Lead free product available

## Specifications & Approvals

Temperature: -40° - 160°F

Working Pressure: 150 PSI Maximum

Listings & Certifications: lead free product CSA listed to NSF 372 (Class 6853-01)



## Dimensions

Part#	Size	A	B	C	D	E
<b>B27-14</b>	1/4" HB x 1/4"	7.35	4.55	15.30	24.35	21.05
<b>B27-38</b>	3/8" HB x 3/8"	10.55	7.10	16.40	28.40	24.25
<b>B27-12</b>	1/2" HB x 1/2"	13.50	10.25	17.60	39.00	27.70
<b>B27-1418</b>	1/4" HB x 1/8"	7.35	4.55	17.55	24.80	16.80
<b>B27-51614</b>	5/16" HB x 1/4"	8.95	5.60	17.50	25.45	21.05
<b>B27-3818</b>	3/8" HB x 1/8"	10.55	7.10	16.40	24.80	16.80
<b>B27-3814</b>	3/8" HB x 1/4"	10.55	7.10	16.40	25.45	21.05
<b>B27-3812</b>	3/8" HB x 1/2"	10.55	7.10	16.25	27.20	27.05
<b>B27-1214</b>	1/2" HB x 1/4"	13.50	10.25	17.10	26.40	25.15
<b>B27-1238</b>	1/2" HB x 3/8"	13.50	10.25	17.60	26.90	27.70
<b>B27-5812</b>	1/2" HB x 5/8"	13.50	10.25	17.60	39.00	27.70
<b>B27-5838</b>	5/8" HB x 3/8"	16.40	12.70	24.65	39.00	25.00

## Materials

Part Name	Material
<b>1. Body</b>	Brass

## Features

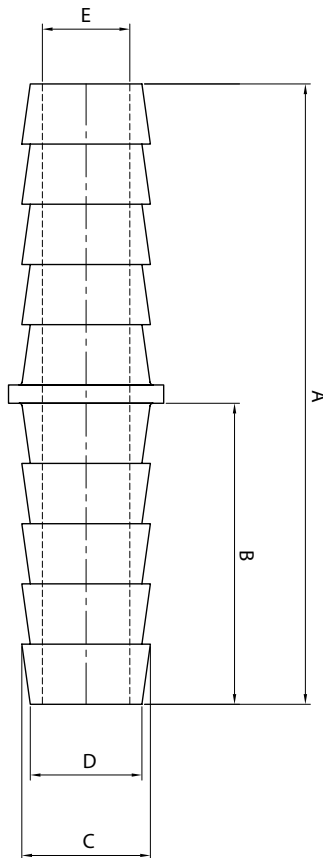
- Manufactured with dry seal pipe threads
- Available in a broad range of configurations
- Lead free product available

## Specifications & Approvals

Temperature: -40° - 160°F

Working Pressure: 150 PSI Maximum

Listings & Certifications: lead free product CSA listed to NSF 372 (Class 6853-01)



## Dimensions

Part#	Size	A	B	C	D	E
<b>B29-316</b>	3/16"	36.55	17.53	5.77	4.53	3.05
<b>B29-14</b>	1/4"	50.80	24.68	7.37	6.02	4.57
<b>B29-516</b>	5/16"	50.80	24.65	8.97	-	5.60
<b>B29-38</b>	3/8"	50.80	24.65	10.54	9.16	7.15
<b>B29-12</b>	1/2"	50.80	24.65	13.46	12.07	10.26
<b>B29-58</b>	5/8"	50.80	24.65	16.38	14.99	12.70

## Materials

Part Name	Material
<b>1. Body</b>	Brass