

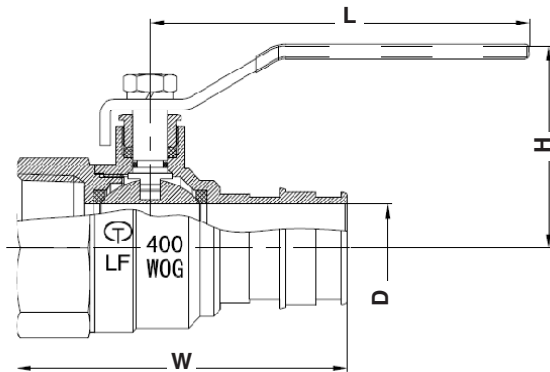
FULL PORT • 400 WOG • PROPEX F1960 X FIP • BRASS BODY • LEAD FREE

Features

- Lead Free Brass Material
- Forged Brass Body
- Blow Out Proof Stem Design
- Stainless Steel Ball
- Handle With Vinyl Grip

Specifications & Approvals

PROPEX end Conform To ASTM F1960
 400 psi WOG 150 psi WSP Service
 Temperature Range : -20° F to 300° F
 1/2- 1" Conforms to NSF/ANSI-61, NSF/ANSI-372 ,
 NSF/ANSI-14



Dimensions



Part#	Size	D	L	H	W	Cv
FFBL-012-NL	1/2"	0.394	3.46	1.69	2.28	8.23
FFBL-034-NL	3/4"	0.611	3.46	1.81	2.68	19.80
FFBL-001-NL	1"	0.812	4.29	2.09	3.33	34.98

Material Specifications

Part Name	Material
Body	Lead Free Brass
Seat	PTFE
Ball	SS304
Stem O-Ring	NBR
Packing Nut	Brass
Stem	Brass
Lock Nut	Ferrum /Zinc Plated
Lock Washer	Ferrum /Zinc Plated
Packing	PTFE
Handle	Ferrum /Chrome Plated
Cap	Lead Free Brass