

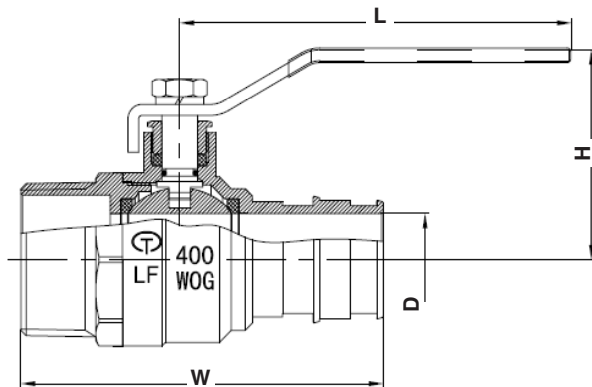
**FULL PORT • 400 WOG • PROPEX F1960 X MIP • BRASS BODY • LEAD FREE**

**Features**

- Lead Free Brass Material
- Forged Brass Body
- Blow Out Proof Stem Design
- Stainless Steel Ball
- Handle With Vinyl Grip

**Specifications & Approvals**

PROPEX end Conform To ASTM F1960  
 400 psi WOG 150 psi WSP Service  
 Temperature Range : -20° F to 300° F



**Dimensions**



Part#	Size	D	L	H	W	Cv
FMBL-012-NL	1/2"	0.394	3.46	1.69	2.48	8.23
FMBL-034-NL	3/4"	0.611	3.46	1.81	2.89	19.80
FMBL-001-NL	1"	0.812	4.29	2.09	3.60	34.98

**Material Specifications**

Part Name	Material
<b>Body</b>	Lead Free Brass
<b>Seat</b>	PTFE
<b>Ball</b>	SS304
<b>Stem O-Ring</b>	NBR
<b>Packing Nut</b>	Brass
<b>Stem</b>	Brass
<b>Lock Nut</b>	Ferrum / Zinc Plated
<b>Lock Washer</b>	Ferrum / Zinc Plated
<b>Packing</b>	PTFE
<b>Handle</b>	Ferrum/Chrome Plated
<b>Cap</b>	Lead Free Brass