

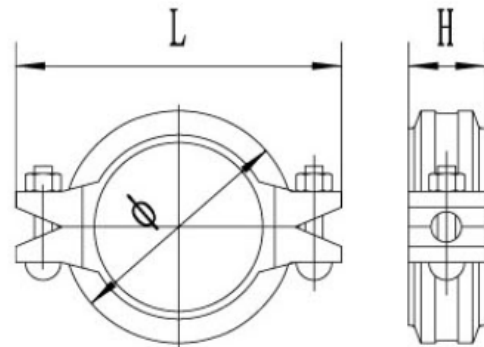
## Features

- Supplied with pre-lubed gasket
- Provides joint flexibility required in some piping systems
- Available with hot dipped galvanized coatings as optional



## Specifications & Approvals

Conforms to the requirements of ANSI B31.1 Power Piping Code; ANSI B31.9 Building Service Pipe Code and NFPA 13 Sprinkler Systems



Part #	PIPE		Max Working Pressure (psi)*	BOLT SIZE No.-Size mm	DIMENSIONS			UL	FM
	Size	Pipe O.D			Ø	L	H		
1219	1-1/4"	1.669	500	2-M10x45	2.638	4.173	1.732	•	•
1217	1-1/2"	1.900	500	2-M10x45	2.874	4.252	1.732	•	•
1212	2"	2.375	500	2-M10x55	3.425	4.843	1.732	•	•
1211	2-1/2"	2.875	500	2-M10x55	3.937	5.433	1.732	•	•
1213	3"	3.500	500	2-M12x60	4.606	6.535	1.772	•	•
1214	4"	4.500	500	2-M12x65	5.472	7.480	1.929	•	•
1215	5"	5.500	400	2-M12x75	6.614	8.583	1.929	•	•
1216	6"	6.625	400	2-M12x75	7.815	9.803	1.969	•	•
1218	8"	8.625	300	2-M16x85	9.961	12.598	2.362	•	•
12110	10"	10.748	300	2-M22x130	12.48	15.787	2.48	•	•
12112	12"	12.752	300	2-M22x130	14.764	17.913	2.52	•	•