

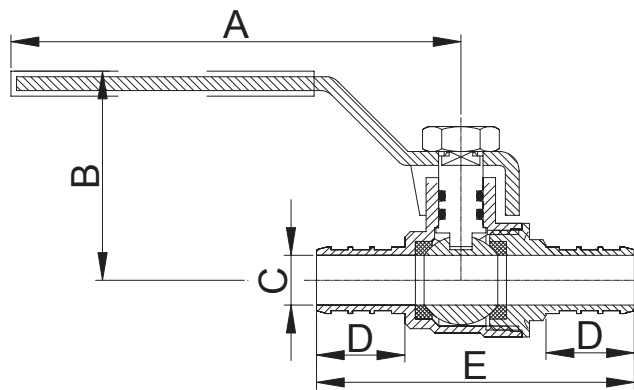
BRASS BODY • PEX X PEX • LEAD FREE

Features

- Forged Brass Body
- PTFE Seats
- Blow Out Proof Stem
- Lever Handle

Specifications & Approvals

PEX end comply with ASTM F1807
 Pressure Rating: 400PSI (WOG)
 Complies with IGC157
 Meets NSF/ANSI 61-8
 Conforms to NSF/ANSI-61-8
 Ball valve comply with IGC157



Dimensions

Part#	Size	A	B	C	D	E
G-600P012-NL	1/2"	3.15	1.456	0.354	0.630	2.382
G-600P034-NL	3/4"	3.15	1.516	0.512	0.634	2.412
G-600P001-NL	1"	3.638	1.850	0.709	0.807	2.815

Material Specifications

Part Name	Material
1. Body	Lead Free Brass
2. Stem	Brass
3. O-Ring	EPDM
4. Handle	Steel + PVC
5. Nut	Steel
6. Seat Ring	PTFE
7. Ball	Lead Free Brass
8. End Cap	Lead Free Brass