

Features

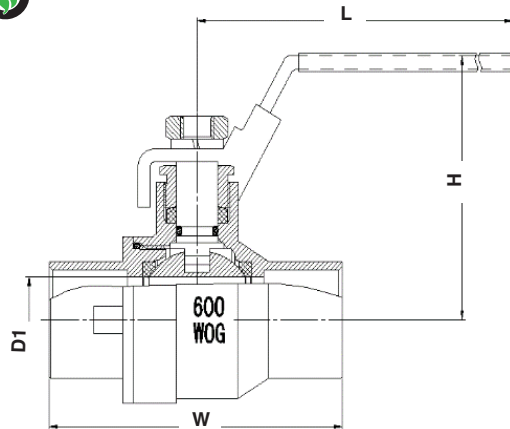
- Dezincification Resistant Lead Free Brass
- Ends conform ASME B16.22
- Brass Body
- Stainless Steel Ball
- Blow Out Proof Brass Stem
- Packing Nut, O-Ring & Packing On The Stem Seal
- Handle with Vinyl Grip



Specifications & Approvals

600 psi (WOG) 150 psi (WSP) Service
 Temperature Range: -20° F to 300° F

- UL:** 1/2" - 2" UL842 (Guide YRPY YRBX MHKZ) 125psig
 1/2" - 2" UL125 (Guide YSDT) 125psig
- FM:** 1/2" - 2" Per FM1140 for 600psig
- IAPMO:** 1/2" - 4" Per NSF/ANSI-61, NSF/ANSI-372, IGC-157
- CSA:** 1/2" - 4" Per NSF/ANSI-61, NSF/ANSI-372, IGC-157



DIMENSIONS

Part#	Size	D	L	H	W	D1	Cv	Wt. (lbs.)
L-610C012-NL	1/2"	0.591	4.48	2.60	2.17	0.63	18.55	0.403
L-610C034-NL	3/4"	0.748	4.81	2.84	2.81	0.878	29.76	0.670
L-610C001-NL	1"	0.984	4.81	3.01	3.34	1.13	51.55	1.034
L-610C114-NL	1-1/4"	1.259	5.59	3.35	3.91	1.378	84.42	1.585
L-610C112-NL	1-1/2"	1.574	5.59	3.61	4.46	1.63	131.93	2.280
L-610C002-NL	2"	1.949	5.59	3.91	5.45	2.13	200.35	3.481
L-610C212-NL	2-1/2"	2.520	7.68	4.83	6.42	2.63	338.43	6.715
L-610C003-NL	3"	2.894	7.95	5.04	7.15	3.13	445.44	8.655
L-610C004-NL	4"	3.839	8.86	5.98	9.57	4.13	783.88	17.419

*Note: Information subject to change without notice.

MATERIAL SPECS

Part Name	Material
Body	Lead Free Brass
Seat	PTFE
Ball	SS304
Stem O-Ring	NBR
Packing Nut	Brass
Stem	Brass (1/4"-2") SS304 (2-1/2"-4")
Lock Nut	Ferrum /Zinc Plated
Lock Washer	Ferrum /Zinc Plated
Packing	PTFE
Handle	Ferrum /Chrome Plated
Cap	Lead Free Brass