

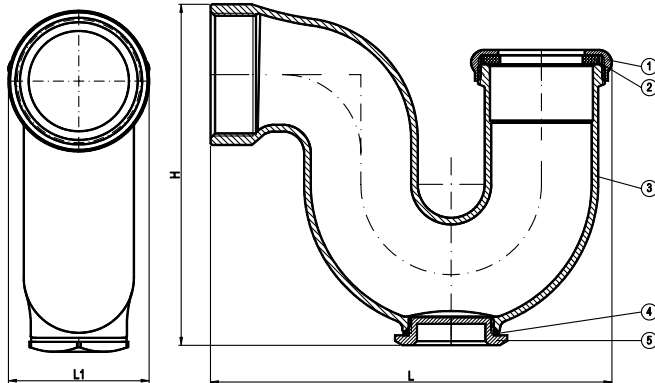
CHROME PLATED • LEAD FREE

Features

- Chrome plated brass body
- 1-1/2" FIP x 1-1/4"

Specifications & Approvals

Conforms to: ASME A112.18.1 / CSA B125.1



Dimensions

Part#	Size	H	L	L1
11114	1-1/2" FIP x 1-1/4"	127.5	150.1	52.6

Material Specifications

Part Name	Material
1. Packing Nut	Brass B584 C85700
2. Packing	SN-719F
3. Body	Brass B584 C85700
4. Packing	SN-719F
5. Bonnet	Brass B124 C37700

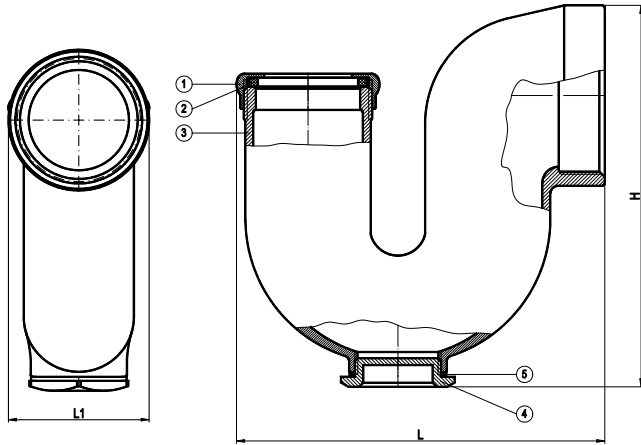
ROUGH BRASS • LEAD FREE

Features

- Rough brass body
- 1-1/2" FIP x 1-1/4"

Specifications & Approvals

Conforms to: ASME A112.18.1 / CSA B125.1



Dimensions

Part#	Size	H	L	L1
2124	1-1/2" FIP x 1-1/4"	127.5	150.1	52.6

Material Specifications

Part Name	Material
1. Packing Nut	Brass B584 C85700
2. Packing	SN-719F
3. Body	Brass B584 C85700
4. Packing	SN-719F
5. Bonnet	Brass B124 C37700

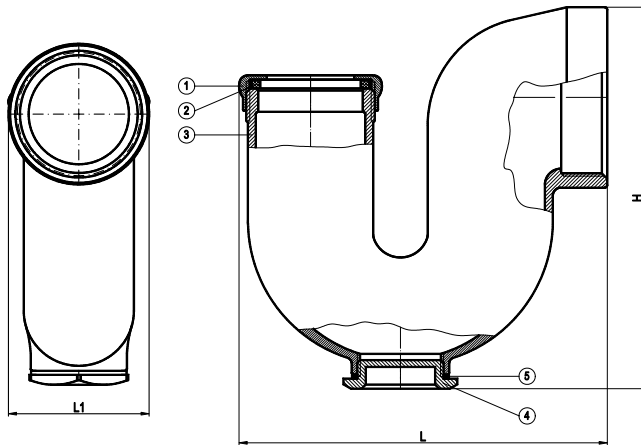
ROUGH BRASS • LEAD FREE

Features

- Rough brass body
- 2" FIP x 1-1/2"

Specifications & Approvals

Conforms to: ASME A112.18.1 / CSA B125.1



Dimensions

Part#	Size	H	L	L1
2112	2" FIP x 1-1/2"	139	143	65

Material Specifications

Part Name	Material
1. Packing Nut	Brass B584 C85700
2. Packing	SN-719F
3. Body	Brass B584 C85700
4. Packing	SN-719F
5. Bonnet	Brass B124 C37700

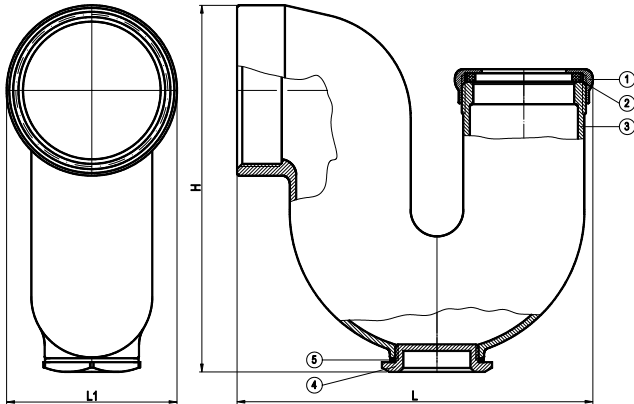
CHROME PLATED • LEAD FREE

Features

- Chrome plated brass body
- 2" FIP x 1-1/2"

Specifications & Approvals

Conforms to: ASME A112.18.1 / CSA B125.1



Dimensions

Part#	Size	H	L	L1
2112A	2" FIP x 1-1/2"	139	143	65

Material Specifications

Part Name	Material
1. Packing Nut	Brass B584 C85700
2. Packing	SN-719F
3. Body	Brass B584 C85700
4. Packing	SN-719F
5. Bonnet	Brass B124 C37700