

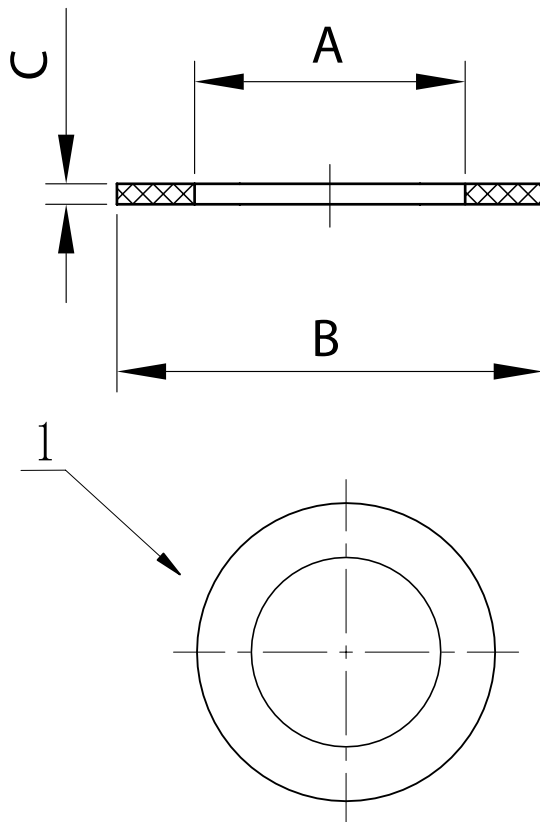
POLYPROPYLENE PLASTIC • LEAD FREE

Features

- Easy installation
- 1-1/2" diameter
- Ideal for white plastic, tubular slip joint connections
- For use with slip joint connections
- Polypropylene plastic construction

Specifications & Approvals

UPC Approved



Dimensions



Part#	Size	A	B	C
P1322	1-1/4"	1.189	1.437	0.126

Material Specifications

Part Name	Material
1. Rubber Washer	NBR