

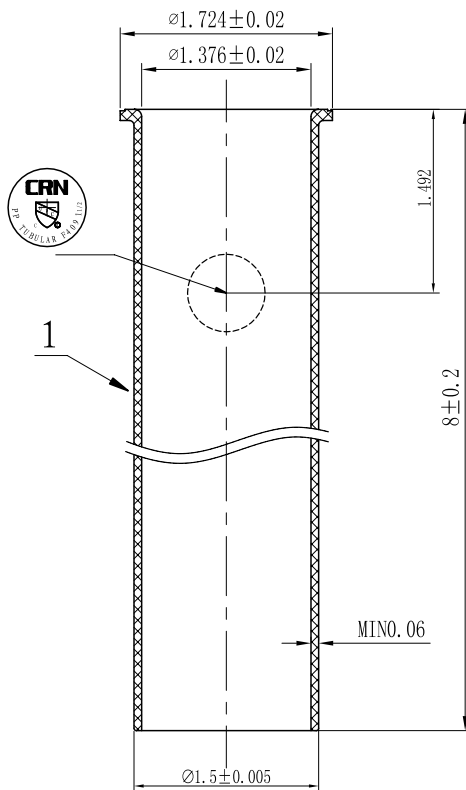
POLYPROPYLENE PLASTIC • LEAD FREE

Features

- Easy installation
- Flanged end
- Polypropylene plastic construction

Specifications & Approvals

IAPMO listed
Meets ASTM F409
UPC approved



Dimensions



Part#	Size
P2238	1-1/2" x 8"
P22312	1-1/2" x 12"

Material Specifications

Part Name	Material
1. Trap Flange	PP

