

LEAD FREE • 1/4 TURN BALL VALVE DESIGN • CHROME PLATED

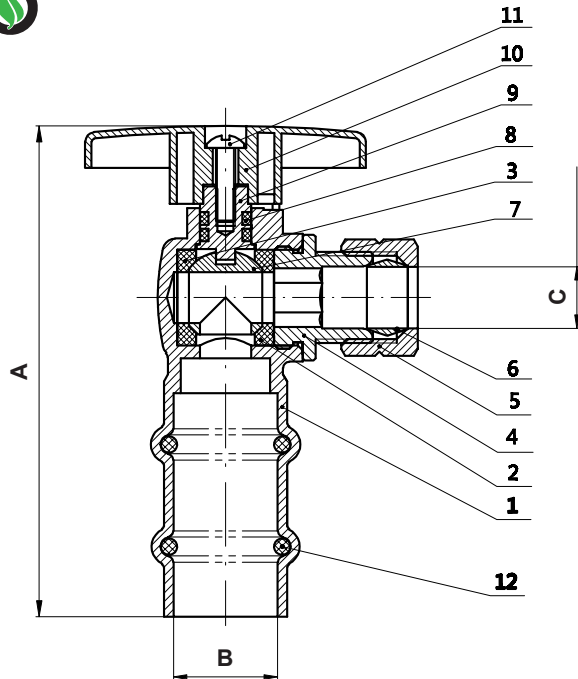
Press Connection Saves Time and Money by significantly reducing labor and costs by allowing a quicker and easier connection. It allows for a safer installation by eliminating potential fire and injuries associated with welding and soldering. Press connection is as strong and durable as a soldered connection

Features

- Press Inlet
- One-Piece chrome plated brass body provides strength, durability and long-lasting performance
- Oval chrome plated zinc handle provides a secure Grip and smooth on/off operation
- Easy-to-remove handle with screw attachment
- Self lubricating PTFE seats and Double O-Ring for added safety
- Individually boxed and barcoded

Specifications & Approvals

Temperature Rating: 120°F
 Pressure Rating: 100 psi



PRESS X COMP



Part#	Size	A	B	C
P-81212PR-NL	1/2" Press x 3/8" Comp	77	16.27	9.65
P-81214PR-NL	1/2" Press x 1/4" Comp	-	16.27	6.4

Material Specifications

Part Name	Material
1. Valve Body	C46500
2. Seal Ring	PTFE
3. Seal Ring	PTFE
4. Bonnet	C46500
5. 3/8 Compression Nut	C37700
6. 3/8 Sleeve	H62
7. Ball	C46500
8. O-Ring	NBR
9. Stem	C69300
10. Hand Shank	Zinc Alloy
11. Cross Screw	SS302
12. O-Ring	EPDM

LEAD FREE • 1/4 TURN BALL VALVE DESIGN • CHROME PLATED

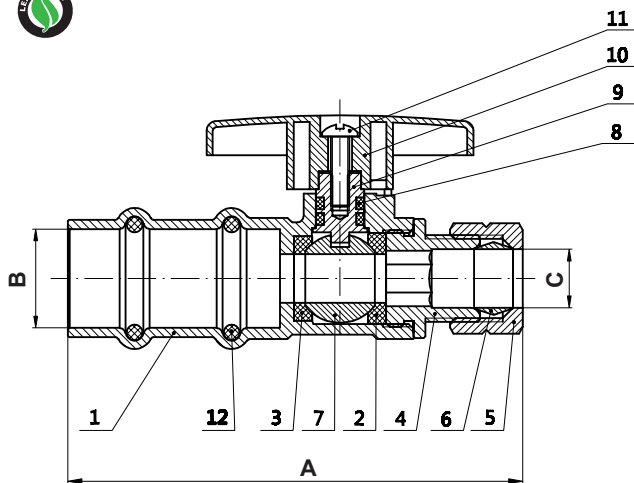
Press Connection Saves Time and Money by significantly reducing labor and costs by allowing a quicker and easier connection. It allows for a safer installation by eliminating potential fire and injuries associated with welding and soldering. Press connection is as strong and durable as a soldered connection

Features

- Press Inlet
- One-Piece chrome plated brass body provides strength, durability and long-lasting performance
- Oval chrome plated zinc handle provides a secure Grip and smooth on/off operation
- Easy-to-remove handle with screw attachment
- Self lubricating PTFE seats and Double O-Ring for added safety
- Individually boxed and barcoded

Specifications & Approvals

Temperature Rating: 120°F
 Pressure Rating: 100 psi



PRESS X COMP

Part#	Size	A	B	C
P-82212PR-NL	1/2" Press x 3/8" Comp	77	16.27	9.65
P-82214PR-NL	1/2" Press x 1/4" Comp	-	16.27	6.4

Material Specifications

Part Name	Material
1. Valve Body	C46500
2. Seal Ring	PTFE
3. Seal Ring	PTFE
4. Bonnet	C46500
5. 3/8 Compression Nut	C37700
6. 3/8 Sleeve	H62
7. Ball	C46500
8. O-Ring	NBR
9. Stem	C69300
10. Hand Shank	Zinc Alloy
11. Cross Screw	SS302
12. O-Ring	EPDM