

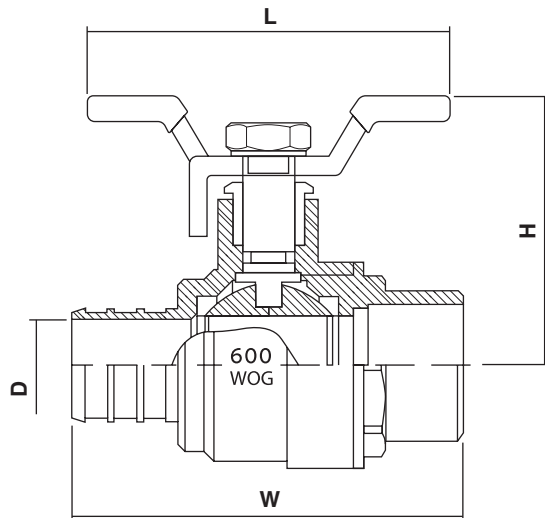
T-HANDLE • PEX F1807 X SWEAT • LEAD FREE

Features

- Dezincification Resistant (DZR) Lead Free Brass
- Forged Brass Body
- Blow Out Proof Stem
- Stainless Steel Ball
- T Handle With Vinyl Grip

Specifications & Approvals

600 psi WOG 150 psi WSP  
 Temperature Range : -20° F to 300° F  
 PEX end Conforms To ASTM F1807  
 Sweat end conforms to ASME B16.22  
 Approved to NSF/ANSI-61, NSF/ANSI-372 , NSF/ANSI-1  
 Manufactured in an ISO-9001 compliant facility  
 Temperature Range : -20° F to 300° F



Dimensions

Part#	Size	D	L	H	W	Cv
PSBV-012-NL	1/2"	0.354	2.50	1.41	2.44	2.67
PSBV-034-NL	3/4"	0.531	2.50	1.58	2.58	15.02

Material Specifications

Part Name	Material
<b>Body</b>	Lead Free Brass
<b>Seat</b>	PTFE
<b>Ball</b>	SS304
<b>Stem O-Ring</b>	NBR
<b>Packing Nut</b>	Brass
<b>Stem</b>	Brass
<b>Lock Nut</b>	Ferrum / Zinc Plated
<b>Lock Washer</b>	Ferrum / Zinc Plated
<b>Packing</b>	PTFE
<b>Handle</b>	Ferrum / Chrome Plated
<b>Cap</b>	Lead Free Brass