

LEAD FREE • 1/4 TURN BALL VALVE DESIGN • CHROME PLATED BRASS BODY

Features

- F1960 Expansion PEX Inlet
- One-piece Chrome Plated Brass Body Provides Strength, Durability and Long-Lasting Performance
- Oval Chrome Plated Zinc Handle Provides a Secure Grip and Smooth On/Off Operation
- Easy-to-Remove Handle with Screw Attachment
- Self Lubricating PTFE Seats and Double O-Ring for Added Safety
- Individually Boxed and Barcoded

Specifications & Approvals

125 psi, Normal Working Temperature 120°F
 Conforms to NSF/ANSI 61/372
 CSA & Truesdale Approved



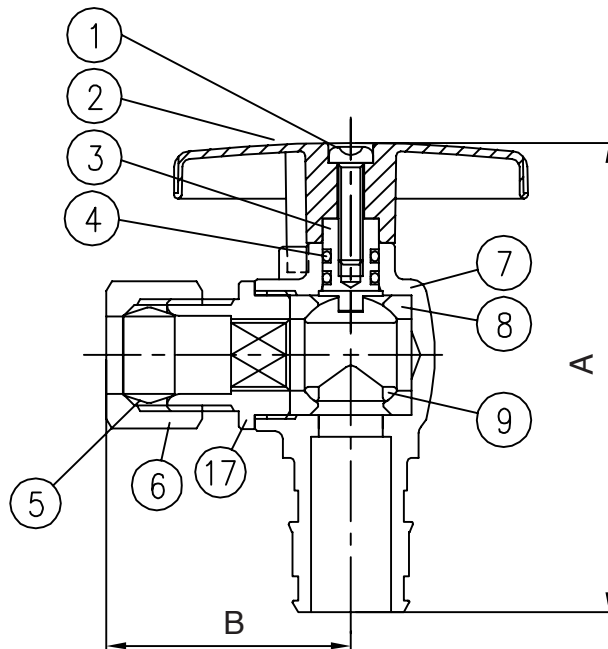
Available Ends: FIP/ SWT/ COMP/ CPVC/ PEX F1807 & PEX F1960

F1960 X COMP

Part#	Size	A	B
F-82512PR-NL	1/2" F1950 x 3/8" Comp	59	30

Material Specifications

Part Name	Material
1. Handle Screw	AISI-1010
2. Handle	B86
3. Stem	B124-C46400
4. O-Ring	NBR
5. Compression Ring	B135-C26000
6. Compression Nut	B16-C36000
7. Body	B124-C46400
8. Ball Disc Packing	EPDM or PTFE
9. Ball Disc	B124-C46400
17. End Plug	B124-C46400



LEAD FREE • 1/4 TURN BALL VALVE DESIGN • CHROME PLATED BRASS BODY

Features

- FIP Inlet
- One-piece Chrome Plated Brass Body Provides Strength, Durability and Long-Lasting Performance
- Oval Chrome Plated Zinc Handle Provides a Secure Grip and Smooth On/Off Operation
- Easy-to-Remove Handle with Screw Attachment
- Self Lubricating PTFE Seats and Double O-Ring for Added Safety
- Individually Boxed and Barcoded

Specifications & Approvals

125 psi, Normal Working Temperature 120°F
 Conforms to NSF/ANSI 61/372
 CSA & Truesdale Approved



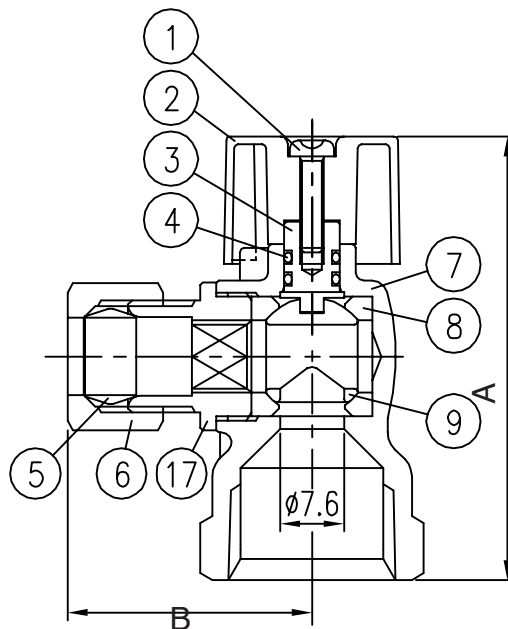
Available Ends: FIP/ SWT/ COMP/ CPVC/ PEX F1807 & PEX F1960

FIP X COMP

Part#	Size	A	B
81112PR-NL	1/2" FIP x 3/8" Comp	56	31
81114PR-NL	1/2" FIP x 1/4" Comp	56	31
81138PR-NL	3/8" FIP x 3/8" Comp	56	31

Material Specifications

Part Name	Material
1. Handle Screw	AISI-1010
2. Handle	B86
3. Stem	Lead Free Brass
4. O-Ring	NBR
5. Compression Ring	B135-C26000
6. Compression Nut	B16-C36000
7. Body	Lead Free Brass
8. Ball Disc Packing	EPDM or PTFE
9. Ball Disc	Lead Free Brass
17. End Plug	Lead Free Brass



LEAD FREE • 1/4 TURN BALL VALVE DESIGN • CHROME PLATED BRASS BODY

Features

- Compression Nut Inlet
- One-piece Chrome Plated Brass Body Provides Strength, Durability and Long-Lasting Performance
- Oval Chrome Plated Zinc Handle Provides a Secure Grip and Smooth On/Off Operation
- Easy-to-Remove Handle with Screw Attachment
- Self Lubricating PTFE Seats and Double O-Ring for Added Safety
- Individually Boxed and Barcoded



Specifications & Approvals

125 psi, Normal Working Temperature 120°F
 Conforms to NSF/ANSI 61/372
 CSA & Truesdale Approved



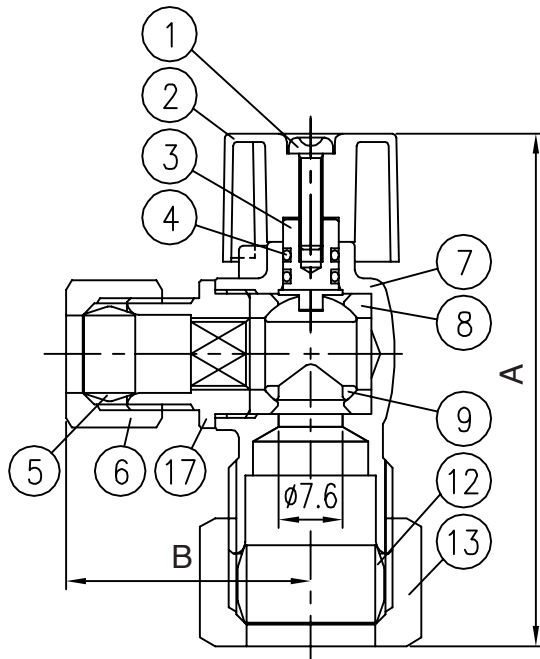
Available Ends: FIP/ SWT/ COMP/ CPVC/ PEX F1807 & PEX F1960

COMP X COMP

Part#	Size	A	B
81358PR-NL	5/8" Comp x 3/8" Comp	64	31
81514PR-NL	5/8" Comp x 1/4" Comp	64	31

Material Specifications

Part Name	Material
1. Handle Screw	AISI-1010
2. Handle	B86
3. Stem	Lead Free Brass
4. O-Ring	NBR
5. Compression Ring	B135-C26000
6. Compression Nut	B16-C36000
7. Body	Lead Free Brass
8. Ball Disc Packing	EPDM or PTFE
9. Ball Disc	Lead Free Brass
12. Compression Ring	B135-C26000
13. Compression Nut	B16-C36000
17. End Plug	Lead Free Brass



LEAD FREE • 1/4 TURN BALL VALVE DESIGN • CHROME PLATED BRASS BODY

Features

- F1807 Crimp PEX Inlet
- One-piece Chrome Plated Brass Body Provides Strength, Durability and Long-Lasting Performance
- Oval Chrome Plated Zinc Handle Provides a Secure Grip and Smooth On/Off Operation
- Easy-to-Remove Handle with Screw Attachment
- Self Lubricating PTFE Seats and Double O-Ring for Added Safety
- Individually Boxed and Barcoded

Specifications & Approvals

125 psi, Normal Working Temperature 120°F
 Conforms to NSF/ANSI 61/372
 CSA & Truesdale Approved



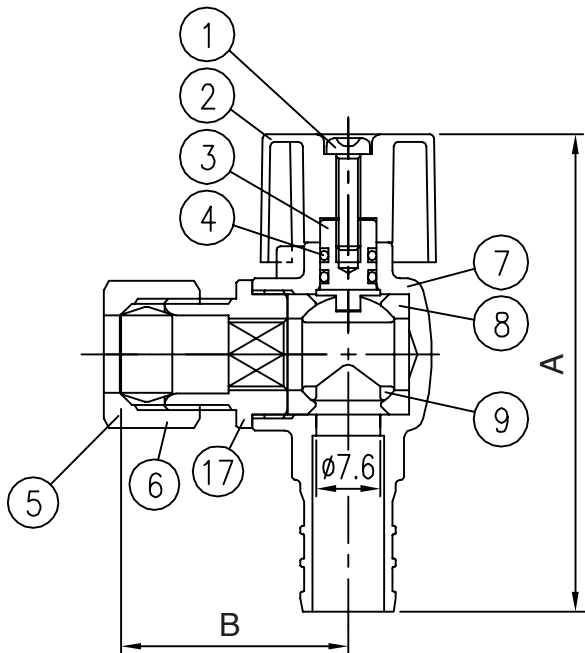
Available Ends: FIP/ SWT/ COMP/ CPVC/ PEX F1807 & PEX F1960

PEX X COMP

Part#	Size	A	B
81512PR-NL	1/2" PEX x 3/8" Comp	60	28
81515PR-NL	1/2" PEX x 1/4" Comp	60	28

Material Specifications

Part Name	Material
1. Handle Screw	AISI-1010
2. Handle	B86
3. Stem	Lead Free Brass
4. O-Ring	NBR
5. Compression Ring	B135-C26000
6. Compression Nut	B16-C36000
7. Body	Lead Free Brass
8. Ball Disc Packing	EPDM or PTFE
9. Ball Disc	Lead Free Brass
17. End Plug	Lead Free Brass



LEAD FREE • 1/4 TURN BALL VALVE DESIGN • CHROME PLATED BRASS BODY

Features

- Sweat Inlet
- One-piece Chrome Plated Brass Body Provides Strength, Durability and Long-Lasting Performance
- Oval Chrome Plated Zinc Handle Provides a Secure Grip and Smooth On/Off Operation
- Easy-to-Remove Handle with Screw Attachment
- Self Lubricating PTFE Seats and Double O-Ring for Added Safety
- Individually Boxed and Barcoded



Specifications & Approvals

125 psi, Normal Working Temperature 120°F
 Conforms to NSF/ANSI 61/372
 CSA & Truesdale Approved

Available Ends: FIP/ SWT/ COMP/ CPVC/ PEX F1807 & PEX F1960

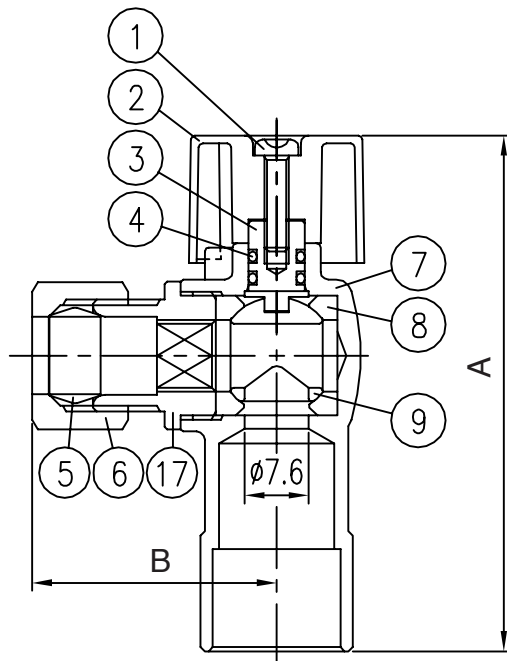


SWEAT X COMP

Part#	Size	A	B
81212PR-NL	1/2" SWT x 3/8" Comp	65	31
81214PR-NL	1/2" SWT x 1/4" Comp	65	31

Material Specifications

Part Name	Material
1. Handle Screw	AISI-1010
2. Handle	B86
3. Stem	Lead Free Brass
4. O-Ring	NBR
5. Compression Ring	B135-C26000
6. Compression Nut	B16-C36000
7. Body	Lead Free Brass
8. Ball Disc Packing	EPDM or PTFE
9. Ball Disc	Lead Free Brass
17. End Plug	Lead Free Brass



LEAD FREE • 1/4 TURN BALL VALVE DESIGN • CHROME PLATED BRASS BODY

Features

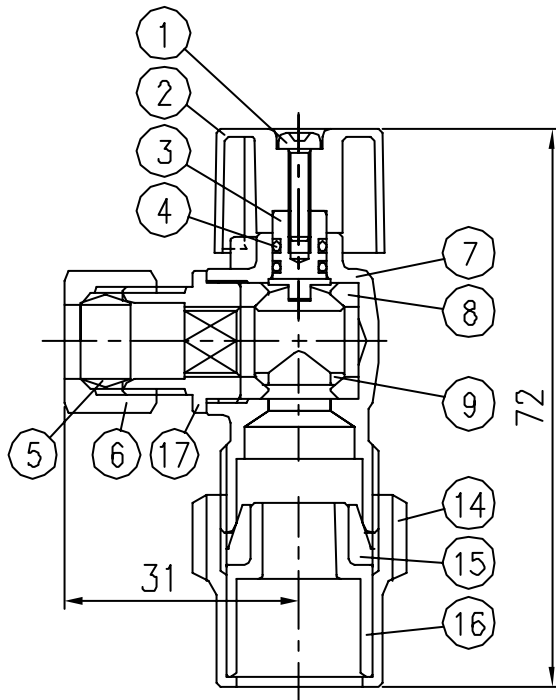
- CPVC Inlet
- One-piece Chrome Plated Brass Body Provides Strength, Durability and Long-Lasting Performance
- Oval Chrome Plated Zinc Handle Provides a Secure Grip and Smooth On/Off Operation
- Easy-to-Remove Handle with Screw Attachment
- Self Lubricating PTFE Seats and Double O-Ring for Added Safety
- Individually Boxed and Barcoded

Specifications & Approvals

125 psi, Normal Working Temperature 120°F
 Conforms to NSF/ANSI 61/372
 CSA & Truesdale Approved



Available Ends: FIP/ SWT/ COMP/ CPVC/ PEX F1807 & PEX F1960



SWEAT X COMP

Part#	Size	A	B
81412PR-NL	1/2" CPVC x 3/8" Comp	72	31

Material Specifications

Part Name	Material
1. Handle Screw	AISI-1010
2. Handle	B86
3. Stem	Lead Free Brass
4. O-Ring	NBR
5. Compression Ring	B135-C26000
6. Compression Nut	B16-C36000
7. Body	Lead Free Brass
8. Ball Disc Packing	EPDM or PTFE
9. Ball Disc	Lead Free Brass
14. CPVC Compression Nut	B16-C36000
15. CPVC Compression Ring	NBR
16. CPVC Fittings	CPVC
17. End Plug	Lead Free Brass

SWEAT X COMP • 5" EXTENSION TUBE • CHROME PLATED • LEAD FREE

Features

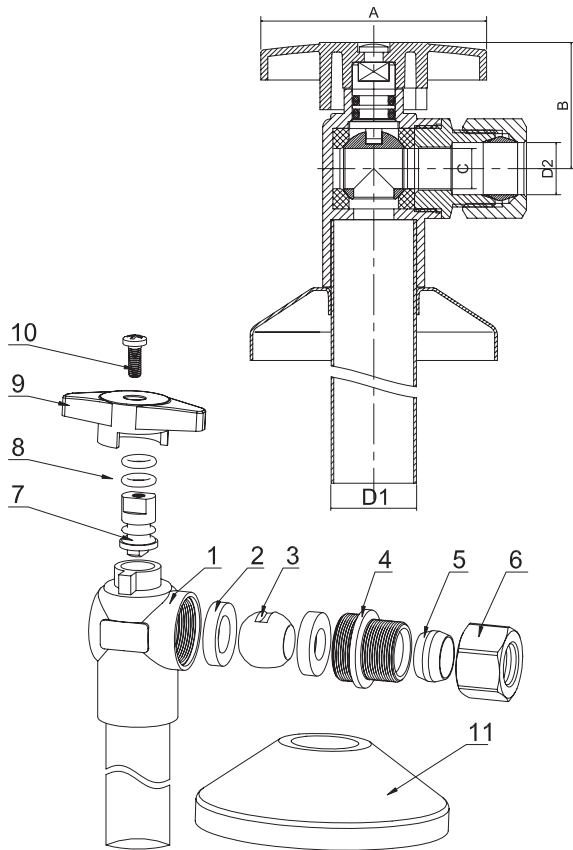
- Quarter turn operation
- Self lubricating PTFE seals
- Double o-ring for safety
- Available for copper, iron, CPVC, PEX tube

Specifications & Approvals

Temperature Rating: 40° to 140°F

Pressure Rating: 125 psi

Conforms to ASME A112.18.1, CSA B125.1, NSF/ANSI 61 cUPC and NSF61 approved



Dimensions

Part #	Size	A	B	C	D1	D2
83212PR-NL	1/2"	1.654	0.974	0.295	0.63	0.382

Material Specifications

Part Name	Material
1. Body	Lead Free Brass
2. Seat	PTFE
3. Ball	Lead Free Brass
4. Bonnet	Lead Free Brass
5. Comp. Ring	Brass
6. Nut	Brass
7. Stem	Brass
8. O-Ring	EPDM
9. Handle	Zn
10. Lock Nut	SS304
11. Bedeck	H62