

FLANGE • HOSE X FEMALE THREAD • CHROME PLATED

Features

- Patented item
- Stainless steel handle and nut
- Chrome plated ball
- Adjustable stem packing gland
- Extended bib threads for secure connection
- Oversized flange
- 1/4 Turn ball valve
- Replaces conventional gate valve sillcock

Specifications & Approvals

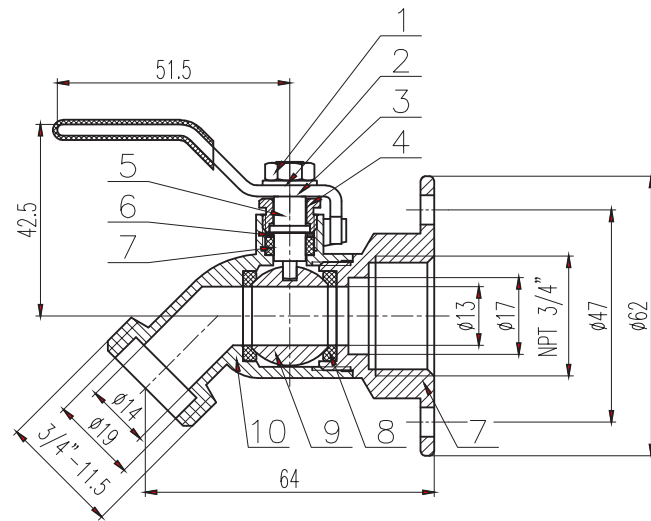
Operating Pressure: 360 psi
Working Temperature: 32°F to 300°F



RAVEN
SPECIALTY PRODUCTS

Dimensions

Part#	Size
R1316	3/4" x 3/4"



Material Specifications

Part Name	Material
1. Hexagon Nut	Stainless Steel
2. Washer	Stainless Steel
3. Handle	Stainless Steel
4. Pressure Cap	Brass C89550
5. Stem	Brass C89550
6. Packing Ring	PTFE
7. Copper Washer	Brass C89550
8. Seats	Brass C89550
9. Seal Ring	PTFE
10. Ball	Brass C89550
11. Valve Body	Brass C89550