

**FLANGE • HOSE X FEMALE THREAD • CHROME PLATED • LEAD FREE**

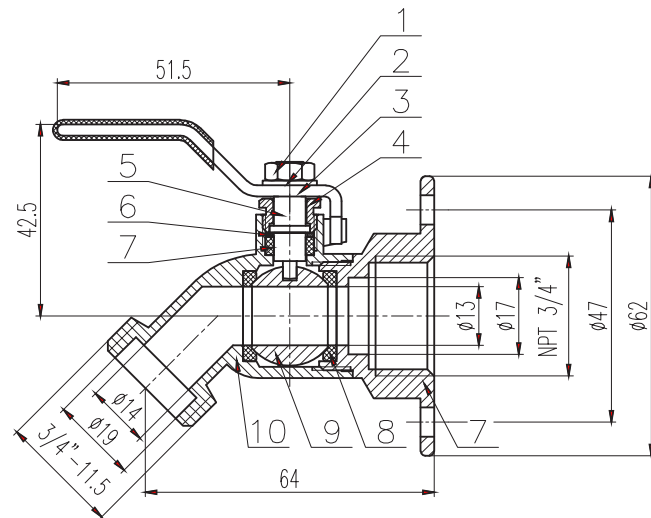
## Features

- Patented item
- Stainless steel handle and nut
- Chrome plated ball
- Adjustable stem packing gland
- Extended bib threads for secure connection
- Oversized flange
- 1/4 Turn ball valve
- Replaces conventional gate valve sillcock



## Specifications & Approvals

Operating Pressure: 360 psi  
Working Temperature: 32°F to 300°F



## Dimensions



Part#	Size
R1316-NL	3/4" x 3/4"

## Material Specifications

Part Name	Material
1. Hexagon Nut	Stainless Steel
2. Washer	Stainless Steel
3. Handle	Stainless Steel
4. Pressure Cap	Lead Free Brass C37700
5. Stem	Lead Free Brass C37700
6. Packing Ring	PTFE
7. Copper Washer	Lead Free Brass C37700
8. Seats	Lead Free Brass C37700
9. Seal Ring	PTFE
10. Ball	Lead Free Brass C37700
11. Valve Body	Lead Free Brass C37700