

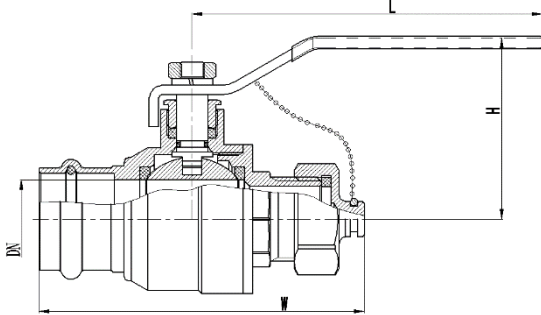
BRASS BODY • PRESS X HOSE • LEAD FREE

Features

- Dezincification Resistant (DZR) Lead Free Brass Material
- PRESS conform IAPMO PS117
- Outlet in 3/4" Hose Thread comply with ANSI B1.20.7
- Forged Brass Body
- Blow Out Proof Stem Design
- Packing Nut, O-RING & Packing On The Stem Seal
- Stainless Steel Ball
- Handle With Vinyl Grip

Specifications & Approvals

250 psi (WOG) 150 psi (WSP) Service
 Temperature Range : -20°F to 300°F
 Conforms to 1/2"-1" per NSF/ANSI-61, NSF/ANSI-372, IGC-157



Dimensions

Part#	Size	D	L	H	W	Cv
RHBV-012-NL	1/2"	0.591	3.46	1.81	3.46	18.55
RHBV-034-NL	3/4"	0.748	4.29	2.09	3.79	29.76
*	1"	0.984	4.29	2.25	4.09	51.55

Material Specifications

Part Name	Material
Body	Lead Free Brass
Seat	PTFE
Ball	Stainless Steel
Stem O-Ring	NBR
Packing Nut	Brass
Stem	Brass
Lock Nut	Ferrum /Zinc Plated
Lock Washer	Ferrum /Zinc Plated
Packing	PTFE
Handle	Ferrum /Chrome Plated
Cap	Lead Free Brass
Press O-Ring	EPDM
Cap Nut	Brass
Gasket	EPDM
Bead-Chain	Plated Steel