

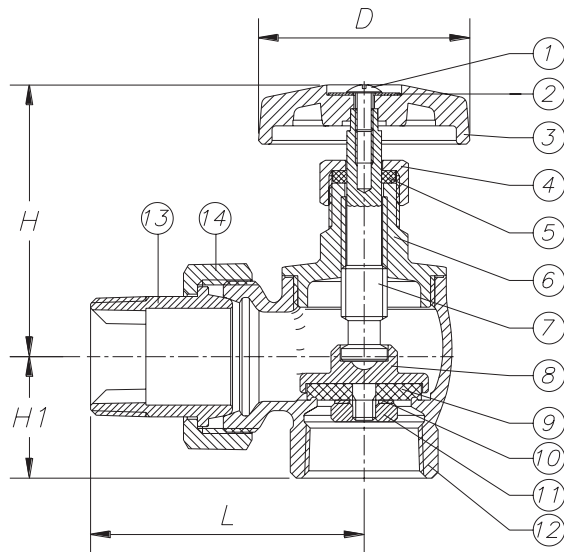
BRASS BODY • FIP X MALE UNION

Features

- Brass Body
- PTFE Seats
- Heavy Duty

Specifications & Approvals

15 WSP - 60 WOG
Low lead AB 1953



Dimensions (mm)



Part #	Size	L	H	H1	D
RSA012	1/2"	56.5	70	24	58.5
RSA034	3/4"	64.5	70	28	58.5
RSA001	1"	72	77.5	32	58.5
RSA114	1-1/4"	81	84.5	36	58.5
RSA112	1-1/2"	91	88	42.5	58.5

Material Specifications

Part Name	Material
1. Handle Bolt	Hot Rolled (SAE 1010R)
2. Name Plate	Aluminum (A1100)
3. Handwheel	Phenolic
4. Packing Nut	Brass
5. Gland Packing	PTFE M-392
6. Bonnet	Brass
7. Stem	Brass
8. Seat Holder	Brass
9. Seat Packing	Rubber (NBR) SN-819F / PTFE M-392
10. Washer	Stainless Steel (304)
11. Seat Nut	Brass
12. Body	Brass
13. Nipple	Brass
14. Nipple Nut	Brass