

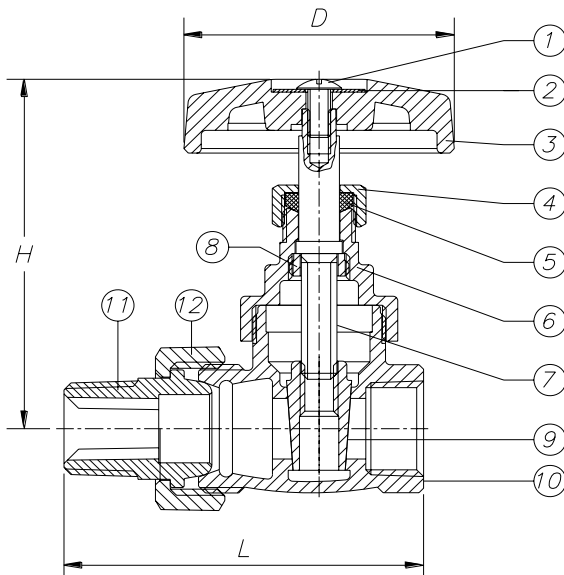
FIP X MALE UNION • BRASS

Features

- Brass Body
- Heavy Duty

Specifications & Approvals

15 WSP - 60 WOG



Dimensions (mm)

Part #	Size	L	H	D
RSS034	3/4"	89.5	91	58.5
RSS001	1"	101	102.5	58.5
RSS114	1-1/4"	113	121	58.5
RSS112	1-1/2"	123	139.5	58.5



Material Specifications

Part Name	Material
1. Handle Bolt	Hot Rolled (SAE 1010R)
2. Name Plate	Aluminum (A1100)
3. Handwheel	Phenolic
4. Packing Nut	Brass (C37700)
5. Gland Packing	PTFE M-392
6. Bonnet	Brass (C85700)
7. Stem	Brass (C37700)
8. Lock Nut	Brass (C37700)
9. Disc	Brass (C85700)
10. Body	Brass (C85700)
11. Nipple	Brass (C37700)
12. Nipple Nut	Brass (C37700)