

**PUSH X PUSH • LEAD FREE**

## Features

- Made with Lead Free DZR forged Brass
- Full Port ball valve design
- Single lever Heavy duty rust resistant handle
- Handle with vinyl grip
- EPDM O-Ring for Leak free seals
- Connects PEX, CPVC or Copper pipe in any Installation
- Quick and easy, removable and re-usable installation

## Specifications & Approvals

Max Pressure: Certified to 200 psi WOG

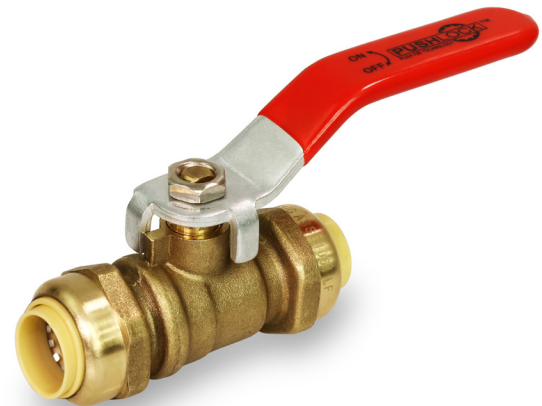
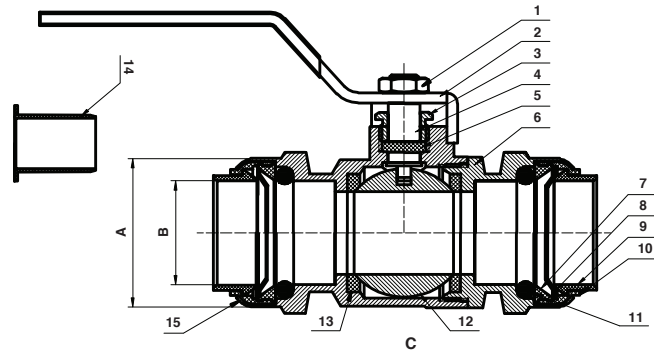
Max Temperature: 200°F

Certified by UPC/IAMPO to meet lead free Potable water laws

ANSI/NSF-61-G Compliant, AWWA c800 compliant

Meets ASME B1.20.1 ASSE 1061

Manufactured in an ISO 9001 accredited facility



## Dimensions

Part #	Size	A	B
UPBV12	1/2"	27.1	16.1
UPBV34	3/4"	33.8	22.4
UPBV01	1"	41.6	28.9

## Material Specifications

Part Name	Material
1. Compression Nut	Nickle Plating
2. Handle	35# Zinc Plating
3. Hex Nut	HPb59-1
4. Stem	Brass C46500
5. Packing	PTFE
6. Bonnet	Brass C46500
7. Plastic Cover	POM
8. Circlip	316L
9. Inner Core	POM
10. Shell	POM
11. O-Ring	EPDM
12. Ball	Brass C46500 Chrome Plating
13. Seal Ring	PTFE
14. Insert Tub	POM
15. Valve Body	Brass C46500