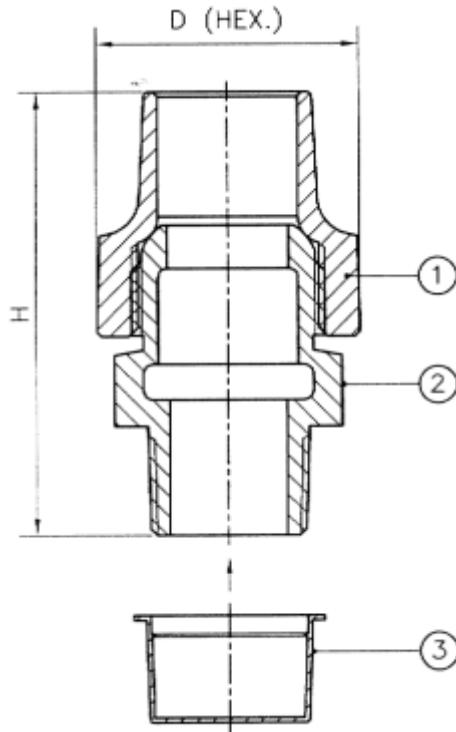


Features

- Bronze Construction
- Male Pipe Thread to Flare Copper

Specifications & Approvals

Conforms to A.W.W.A
 Conforms to NSF-61



Dimensions

Part #	Size	D	H
WS-AFM0034	3/4"	39	84
WS-AFM0100	1"	48	95
WS-AFM0114	1-1/4"	62	104
WS-AFM0112	1-1/2"	72	119
WS-AFM0200	2"	92	141.5

Material Specifications

Part Name	Material
1. Flare Nut	Brass C89844
2. Nipple	Brass C89844
3. Thread Protector	Plastic