

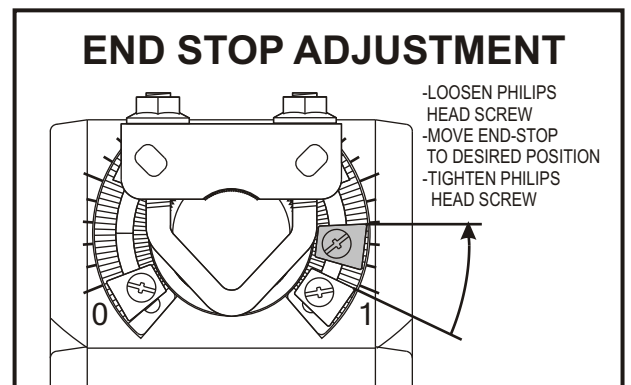
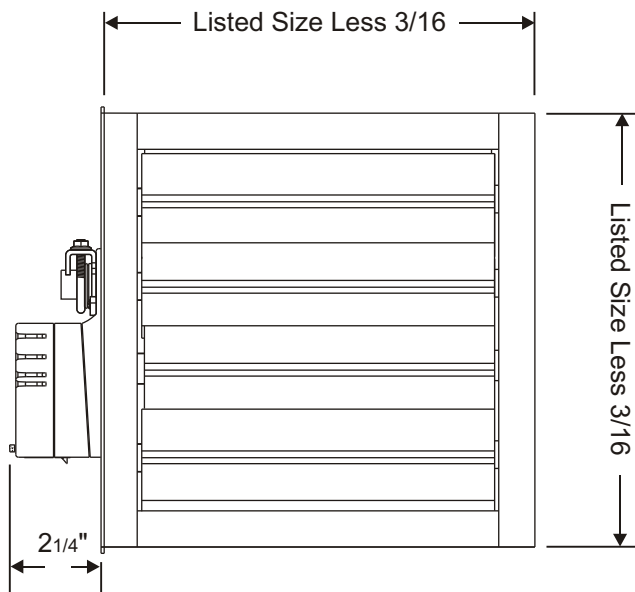
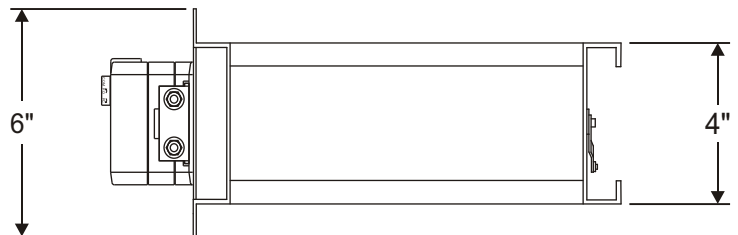
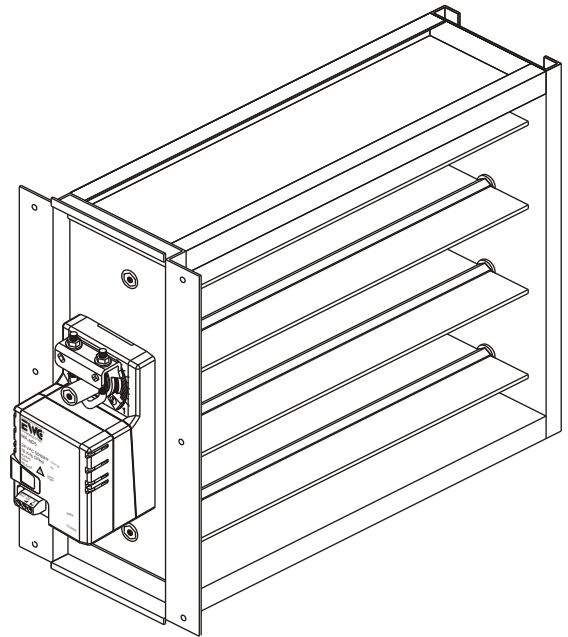
ULTRA-ZONE[®]

Forced Air Zone Controls

Technical Bulletin

Model ND Rectangular Damper
with MA-ND5 Actuator
"EcoNet Compatible"

- Heavy Duty extruded 0.80" aluminum construction.
- Glass Filled Nylon Bearings provide quiet operation.
- Overlapping parallel blades for low leakage.
- Power open / Power close function at 35 seconds.
- UL Listed Motor Actuator is rated for 24volt ac/dc.
- 3 wire power open & power close.
- 18"lb / 2Nm torque rating.
- 1 watt (1.5va) power requirement.
- Motor Actuator housing is rated NEMA1.
- End-Stop adjustment allows for a percentage of relief air (leakage) to be set when the damper is powered to the closed position. You may set a maximum open position as well.
- Bright green & red LED's indicate damper open/closed position, regardless of end stop adjustment.
- Designed to operate at static pressures up to 1.5" wc.
- Available in 6" x 8" thru 30" x 30" in one inch increments. Custom sizing is always available.
- Contact EWC Controls Inc. www.ewcccontrols.com



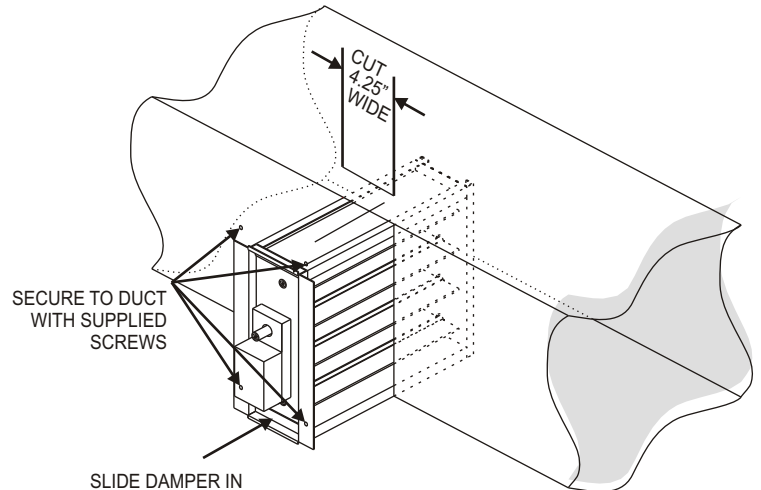
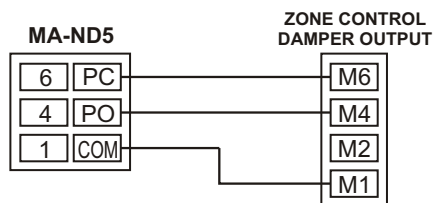
INSTALLATION AND WIRING

On the side of the duct, where the damper is to be mounted, cut a 4.25" wide slotted opening. Slide the damper into the opening and secure the damper to the duct with sheet metal screws. Airflow can be from either direction and the Motor can be oriented in any position. Larger sizes may require additional support by securing the back of the damper. If using duct board, additional support can be obtained by using Model DBA Duct Board Adaptors.

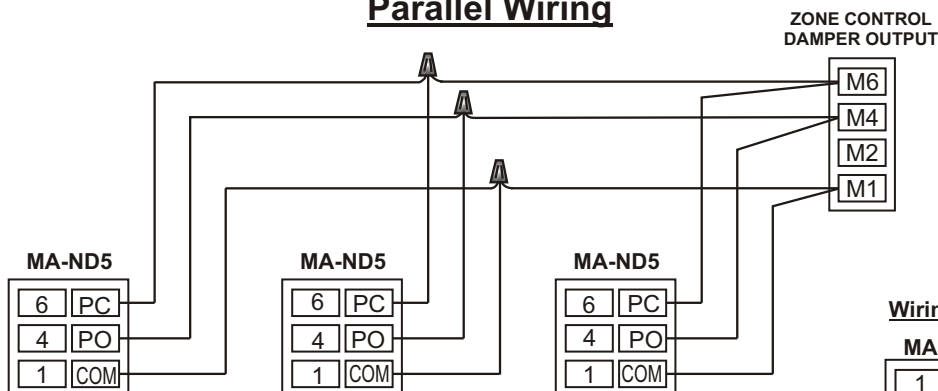
Motor Actuator Terminals

TERMINAL	DESCRIPTION
1 / COM	24v Common
4 / PO	24v Power to Open
6 / PC	24v Power to Close

Wiring to a Zone Control Panel



Parallel Wiring



Wiring a Thermostat to Control a Single Damper

