

ULTRA-ZONE®

Forced Air Zone Controls

SUBMITTAL SHEET

Model SID - Retro-Fit Damper with MA-ND5 Motor Actuator

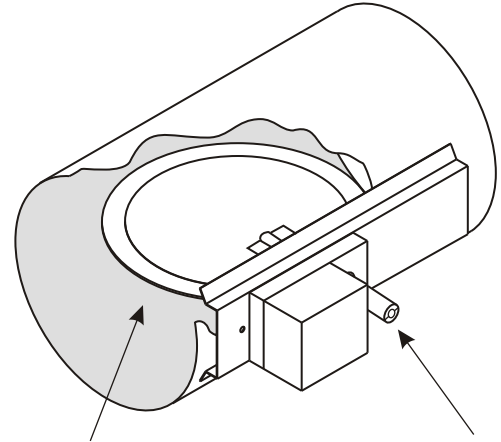
The SID (Slip-In Damper) series of round motorized dampers are designed for the Retro-Fit market but work for New Construction as well. *SID dampers are EcoNet Compatible.*

Using the provided template, the SID damper easily slips into a 1 1/4" slot cut into the existing round duct. The damper has a double layered blade with an integrated cellular foam sealing gasket.

The superior design insures long life and zero maintenance. SID dampers are easy to install, easy to wire, and come with a 5 year warranty. The SID is designed to operate at static pressures up to 1" w.c.

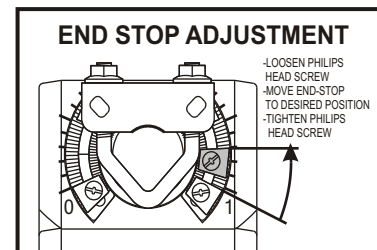
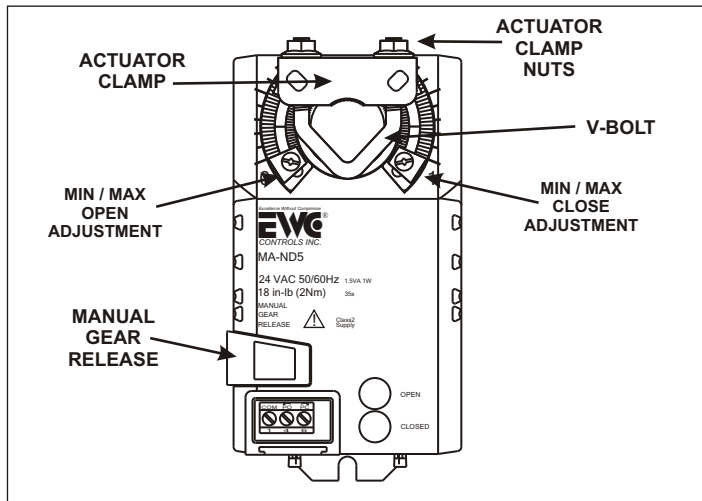
The UL Listed MA-ND5 Motor Actuator is a 24vac 3 wire power open / power close type motor rated at 18in.lbs. of torque. The SID includes an integrated terminal block, and NEMA1 rated housing. The actuator also includes adjustable End-Stops for Min & Max position capability, allowing adjustment of the design CFM into the zoned area or to set a percentage of relief air (leakage) when the damper is closed.

OPEN & CLOSE LED's are also included that provide visual indication of the damper position. The SID damper can be installed in any logical position that allows future access.



Loosen the Actuator clamp (V-bolt) and center the gasketed blade inside the pipe by pulling or pushing the shaft. Then tighten the Actuator clamp nuts back down and lock the shaft in place.

MODEL #	ROUND DUCT SIZE	MODEL #	ROUND DUCT SIZE
SID - 4	4.00"	SID - 8	8.00"
SID - 5	5.00"	SID - 9	9.00"
SID - 6	6.00"	SID - 10	10.00"
SID - 7	7.00"		



INSTALLATION INSTRUCTIONS

1. Determine the installation location in desired round pipe.
2. Apply the Template to the desired location.
3. Drill a pilot hole in the center of the template.
4. Cut along the Template to the correct size of the round duct that the damper is being installed in.
5. Make sure the damper blade is Parallel with the mounting bracket (Inline with -- above graphic). Use the manual gear release to adjust the blade position, if it is not parallel to the duct.
6. Slip the damper blade into the new slot in the round duct. Position bracket so it is level with the duct and secure with sheet metal screws.
7. Loosen the two 5/16" nuts on the Actuator clamp to allow centering of the blade inside the round pipe. Pull the shaft out to prevent bottoming out the blade inside the round duct. Tighten the two 5/16" nuts and lock the shaft in place.
8. Wire the damper. Refer to the diagrams on the back of this sheet.

Excellence Without Compromise



385 Hwy. 33
 Englishtown, NJ 07726
 Ph: 800-446-3110
 Fx: 732-446-5362

P/N 090377A0118 REV. J

Copyright © 2006, EWC Controls Inc., All Rights Reserved

SUBMITTAL FORM

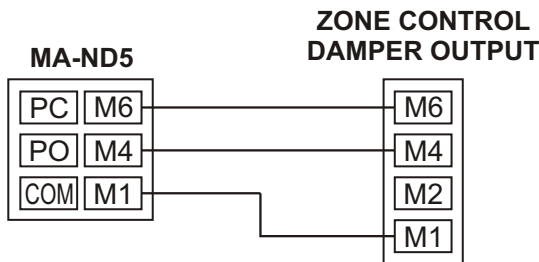
SUBMITTED BY: _____
 JOB: _____
 ARCHITECT: _____
 ENGINEER: _____
 CONTRACTOR: _____
 LOCATION: _____

WIRING SOLUTIONS

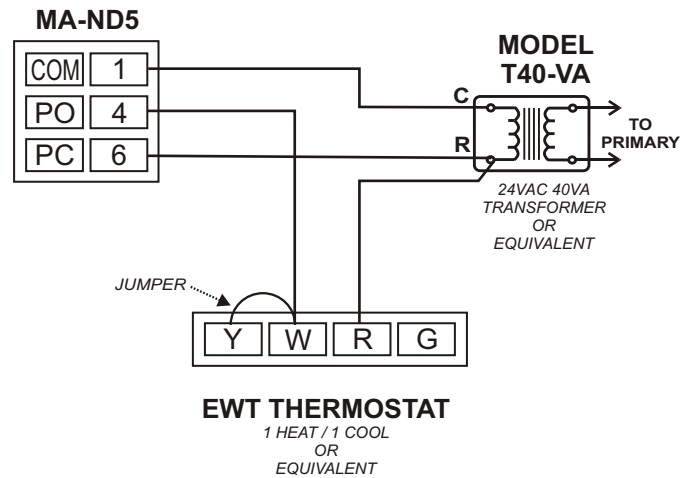
Motor Actuator Terminals

TERMINAL	DESCRIPTION
1 / COM	24v Common
4 / PO	24v Power to Open
6 / PC	24v Power to Close

Wiring to a Zone Control Panel



Wiring a Thermostat to Control a Single Damper



Wiring in Parallel

