

ULTRA-ZONE™

Forced Air Zone Controls

SUBMITTAL SHEET

Model EC
Enthalpy Control

APPLICATIONS

Monitor outdoor temperature & relative humidity to calculate Enthalpy:

- Control air dampers for free cooling (Economy) applications.
- Control air dampers for fresh air functions.
- Control air dampers for make up air operations.
- Avoid introducing humid air into the home or building.
- Advanced Ceramic Technology maintains accuracy.

SPECIFICATIONS

- POWER:** 24 vac
- OUTPUT:** SPDT 10A 1C relay w/24vac Sourced Power
- CURVE SET POINTS:** @ 50% RH
- CURVE SET POINTS:** A (75°F) B (70°F) C (67°F) D (63°F)
- RELAY DEADBAND:** 1BTU or 0.5°F (0.27°C)
- ENTHALPY ACCURACY:** +/- 1 BTU @77°F (25°C)
- ALTITUDE CORRECTION:** 1K, 3K, 5K, 7K, 9K, 11K (feet)
- OPERATING RH RANGE:** 0 - 95% RH (non-condensing)
- CONFORMAL COATED:** For protection against moisture
- TEMPERATURE RANGE:** -40°F - 140°F (-40°C - 60°C)
- PRODUCT DIMENSIONS:** 3.375" height x 4.250" width
- MOUNTING HOLES:** 3.75" across



CURVE SELECTION SWITCH

ENTHALPY CONTROL CURVES		
CURVE SET POINTS	ENTHALPY SET POINT (BTU's)	TEMP SET POINT (°F Dry Bulb)
A	28	75
B	24	70
C	23	67
D	21.5	63



This product is not intended for life or safety applications.

This product is not intended for installation in hazardous or classified locations.

Read instructions thoroughly prior to installation.

Disconnect and lock-out all power sources during installation and service. Applications shown are suggested means of installing sensors, but it is the responsibility of the installer to ensure that the installation is in compliance with all national and local codes. Installation should be attempted only by individuals familiar with codes, standards, and proper safety procedures.



385 Hwy. 33 Englishtown, NJ 07726
Ph: 800-446-3110 - Fx: 732-446-5362

ULTRA-ZONE™

Forced Air Zone Controls

SUBMITTAL SHEET

Model EC Enthalpy Control

INSTALLATION

Select a mounting location that will allow the device to monitor outdoor conditions but will prevent direct exposure. Provide protection from rain, snow and direct sunlight such as under an eave, hood or shield. DO NOT mount close to the ground below the expected snow line. DO NOT mount near any type of flue or venting pipe.

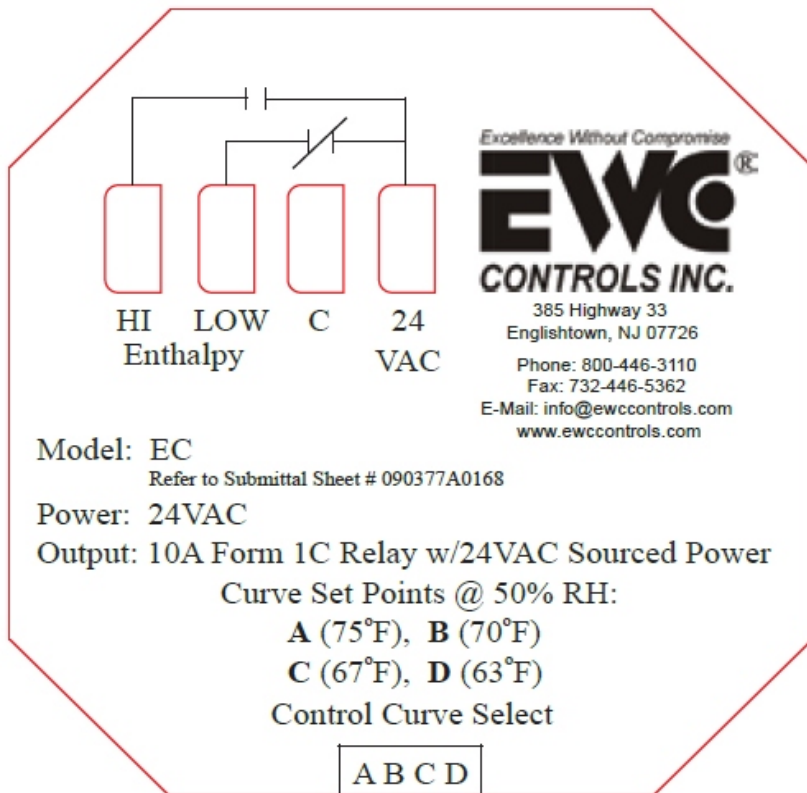
If mounting inside of intake duct-work, mount the Enthalpy Control upstream of (before) the outside air damper, not downstream of (after) the damper. This will allow the Enthalpy Control to sense outdoor conditions regardless of the damper position.

EWC recommends #18awg copper conductors for all wiring connections. Use solder-less female spade connectors such as (Amp Part#2-520263-2 or equivalent). Use an approved crimping tool to install spade connectors.

This device is factory preset for an average 1000ft. above sea level. If you need to adjust for elevation contact EWC Controls Technical Support for instructions.

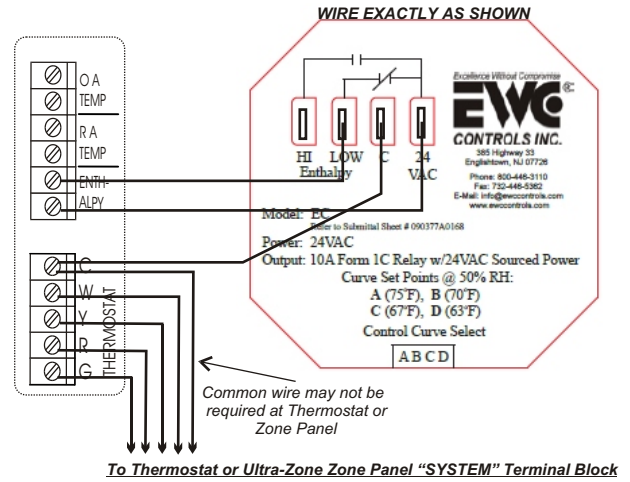
Visit our web site at www.ewccontrols.com to download this and other documents. You will also find the the HK2000 and UZC4 Technical Bulletins.

Call EWC Controls Technical Support if you have any questions at 1-800-446-3110.



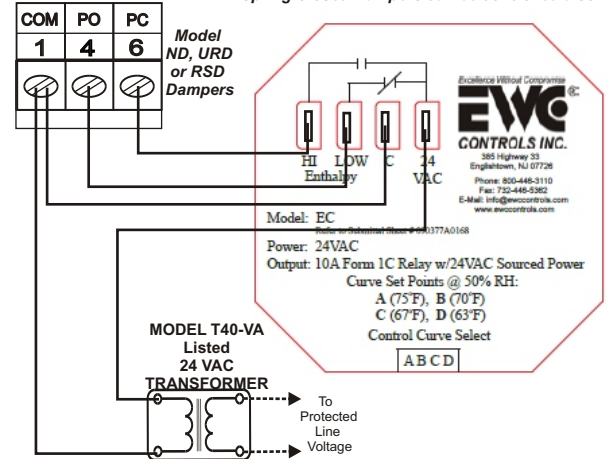
WIRING

ECONOMY FUNCTION ON THE HK2000 PANEL

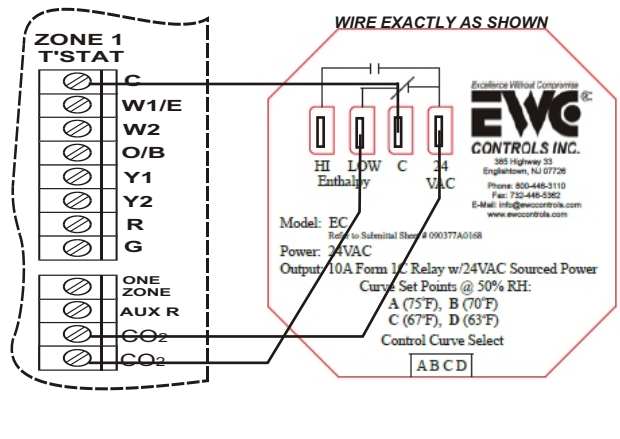


DIRECT CONTROL OF OUTDOOR AIR DAMPERS

Spring Closed Dampers can be controlled also!



FRESH AIR WITH UZC4 ZONE PANEL



Excellence Without Compromise
EWC
CONTROLS INC.

385 Hwy. 33 Englishtown, NJ 07726
Ph: 800-446-3110 - Fx: 732-446-5362