



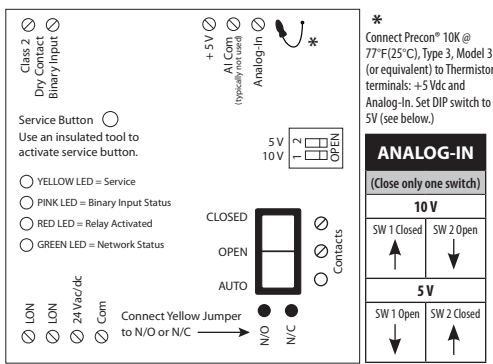
RIBMW24SB-LNT3

Bulletin B1146 • 393102F

CONTACT RATINGS
 20 Amp Resistive @ 277 Vac
 1 HP @ 120 Vac
 2 HP @ 277 Vac
 20A Ballast @ 277 Vac (N/O)
 10A Ballast @ 277 Vac (N/C)
 10A Tungsten @ 120 Vac (N/O)

POWER INPUT
 24 Vac/dc = Terminal Strip

POWER INPUT RATINGS
 24 Vac, 111mA Max
 24 Vdc, 81mA Max
 Energy Management Equip.



* Connect Precon™ 10K @ 77°F(25°C), Type 3, Model 3 (or equivalent) to Thermistor terminals: +5 Vdc and Analog-In. Set DIP switch to 5V (see below.)

CONTACT OUTPUT
 Terminals

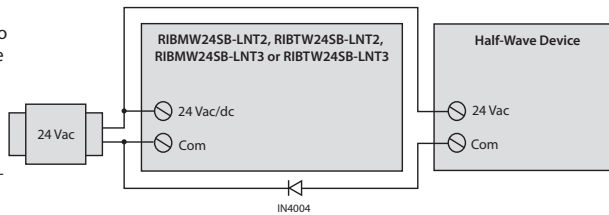
www.FunctionalDevices.com Precon™ is a registered trademark of Kele and Associates.

FOR SUPPLY CONNECTIONS USE #12AWG WIRES OR LARGER RATED FOR AT LEAST 75°C(167°F).

CAUTION: RISK OF ELECTRIC SHOCK - MORE THAN ONE DISCONNECT MAY BE REQUIRED TO DEENERGIZE THE DEVICE BEFORE SERVICING.

When connecting 24 Vac to both the RIB(s) and a half-wave device, damage to device can occur. Option 1: Use separate transformers for each device. Option 2: Add diode between devices, see Option 2 note. ^^

^^ Option 2:
 Add diode on 24 Vac power (Com) interconnection between devices. Band on diode faces towards RIB(s).



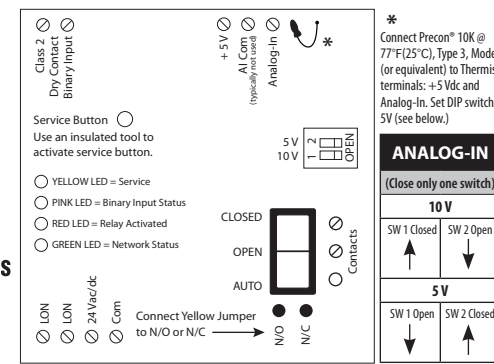
RIBMW24SB-LNT3

Bulletin B1146 • 393102F

CONTACT RATINGS
 20 Amp Resistive @ 277 Vac
 1 HP @ 120 Vac
 2 HP @ 277 Vac
 20A Ballast @ 277 Vac (N/O)
 10A Ballast @ 277 Vac (N/C)
 10A Tungsten @ 120 Vac (N/O)

POWER INPUT
 24 Vac/dc = Terminal Strip

POWER INPUT RATINGS
 24 Vac, 111mA Max
 24 Vdc, 81mA Max
 Energy Management Equip.



* Connect Precon™ 10K @ 77°F(25°C), Type 3, Model 3 (or equivalent) to Thermistor terminals: +5 Vdc and Analog-In. Set DIP switch to 5V (see below.)

CONTACT OUTPUT
 Terminals

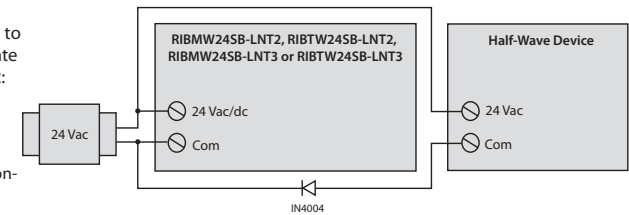
www.FunctionalDevices.com Precon™ is a registered trademark of Kele and Associates.

FOR SUPPLY CONNECTIONS USE #12AWG WIRES OR LARGER RATED FOR AT LEAST 75°C(167°F).

CAUTION: RISK OF ELECTRIC SHOCK - MORE THAN ONE DISCONNECT MAY BE REQUIRED TO DEENERGIZE THE DEVICE BEFORE SERVICING.

When connecting 24 Vac to both the RIB(s) and a half-wave device, damage to device can occur. Option 1: Use separate transformers for each device. Option 2: Add diode between devices, see Option 2 note. ^^

^^ Option 2:
 Add diode on 24 Vac power (Com) interconnection between devices. Band on diode faces towards RIB(s).



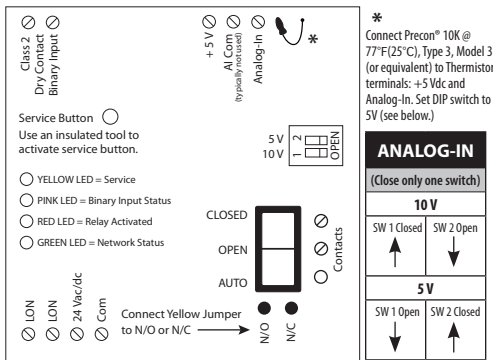
RIBMW24SB-LNT3

Bulletin B1146 • 393102F

CONTACT RATINGS
 20 Amp Resistive @ 277 Vac
 1 HP @ 120 Vac
 2 HP @ 277 Vac
 20A Ballast @ 277 Vac (N/O)
 10A Ballast @ 277 Vac (N/C)
 10A Tungsten @ 120 Vac (N/O)

POWER INPUT
 24 Vac/dc = Terminal Strip

POWER INPUT RATINGS
 24 Vac, 111mA Max
 24 Vdc, 81mA Max
 Energy Management Equip.



* Connect Precon™ 10K @ 77°F(25°C), Type 3, Model 3 (or equivalent) to Thermistor terminals: +5 Vdc and Analog-In. Set DIP switch to 5V (see below.)

CONTACT OUTPUT
 Terminals

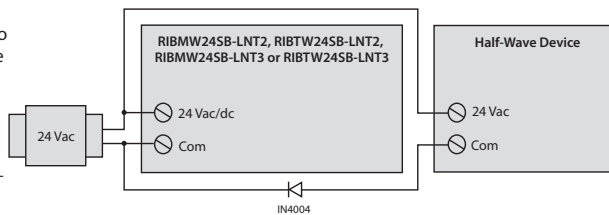
www.FunctionalDevices.com Precon™ is a registered trademark of Kele and Associates.

FOR SUPPLY CONNECTIONS USE #12AWG WIRES OR LARGER RATED FOR AT LEAST 75°C(167°F).

CAUTION: RISK OF ELECTRIC SHOCK - MORE THAN ONE DISCONNECT MAY BE REQUIRED TO DEENERGIZE THE DEVICE BEFORE SERVICING.

When connecting 24 Vac to both the RIB(s) and a half-wave device, damage to device can occur. Option 1: Use separate transformers for each device. Option 2: Add diode between devices, see Option 2 note. ^^

^^ Option 2:
 Add diode on 24 Vac power (Com) interconnection between devices. Band on diode faces towards RIB(s).



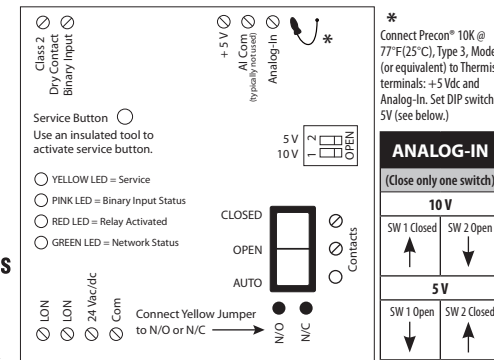
RIBMW24SB-LNT3

Bulletin B1146 • 393102F

CONTACT RATINGS
 20 Amp Resistive @ 277 Vac
 1 HP @ 120 Vac
 2 HP @ 277 Vac
 20A Ballast @ 277 Vac (N/O)
 10A Ballast @ 277 Vac (N/C)
 10A Tungsten @ 120 Vac (N/O)

POWER INPUT
 24 Vac/dc = Terminal Strip

POWER INPUT RATINGS
 24 Vac, 111mA Max
 24 Vdc, 81mA Max
 Energy Management Equip.



* Connect Precon™ 10K @ 77°F(25°C), Type 3, Model 3 (or equivalent) to Thermistor terminals: +5 Vdc and Analog-In. Set DIP switch to 5V (see below.)

CONTACT OUTPUT
 Terminals

www.FunctionalDevices.com Precon™ is a registered trademark of Kele and Associates.

FOR SUPPLY CONNECTIONS USE #12AWG WIRES OR LARGER RATED FOR AT LEAST 75°C(167°F).

CAUTION: RISK OF ELECTRIC SHOCK - MORE THAN ONE DISCONNECT MAY BE REQUIRED TO DEENERGIZE THE DEVICE BEFORE SERVICING.

When connecting 24 Vac to both the RIB(s) and a half-wave device, damage to device can occur. Option 1: Use separate transformers for each device. Option 2: Add diode between devices, see Option 2 note. ^^

^^ Option 2:
 Add diode on 24 Vac power (Com) interconnection between devices. Band on diode faces towards RIB(s).

