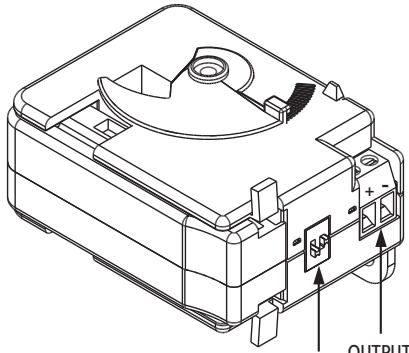


Bulletin B1413

MULTI-RANGE SPLIT CORE AC TRANSDUCCERS
• RIBXGTV5 • RIBXGTV10



DIP SWITCHES
OUTPUT TERMINAL STRIP ACCEPTS 14-22 AWG WIRE

RIBXGTV5		
DIP SWITCH	RANGE	
1	2	
OFF	OFF	0-20A
OFF	ON	0-50A
ON	OFF	0-100A

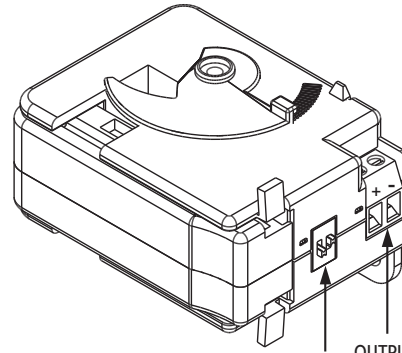
RIBXGTV10		
DIP SWITCH	RANGE	
1	2	
OFF	OFF	0-20A
OFF	ON	0-50A
ON	OFF	0-100A

CONTROL UNIT ACCESSORIES
also suitable for use as:
ENCLOSED ENERGY MANAGEMENT EQUIPMENT, SMOKE CONTROL, SIGNAL APPLIANCES

CAUTION: RISK OF ELECTRIC SHOCK - MORE THAN ONE DISCONNECT MAY BE REQUIRED TO DEENERGIZE THE DEVICE BEFORE SERVICING.

Bulletin B1413

MULTI-RANGE SPLIT CORE AC TRANSDUCCERS
• RIBXGTV5 • RIBXGTV10



DIP SWITCHES
OUTPUT TERMINAL STRIP ACCEPTS 14-22 AWG WIRE

RIBXGTV5		
DIP SWITCH	RANGE	
1	2	
OFF	OFF	0-20A
OFF	ON	0-50A
ON	OFF	0-100A

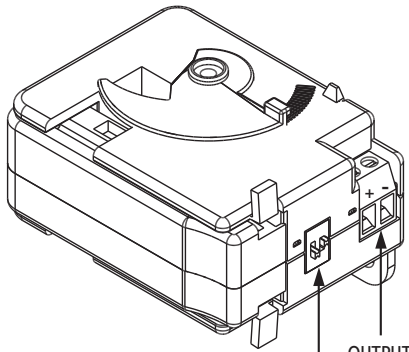
RIBXGTV10		
DIP SWITCH	RANGE	
1	2	
OFF	OFF	0-20A
OFF	ON	0-50A
ON	OFF	0-100A

CONTROL UNIT ACCESSORIES
also suitable for use as:
ENCLOSED ENERGY MANAGEMENT EQUIPMENT, SMOKE CONTROL, SIGNAL APPLIANCES

CAUTION: RISK OF ELECTRIC SHOCK - MORE THAN ONE DISCONNECT MAY BE REQUIRED TO DEENERGIZE THE DEVICE BEFORE SERVICING.

Bulletin B1413

MULTI-RANGE SPLIT CORE AC TRANSDUCCERS
• RIBXGTV5 • RIBXGTV10



DIP SWITCHES
OUTPUT TERMINAL STRIP ACCEPTS 14-22 AWG WIRE

RIBXGTV5		
DIP SWITCH	RANGE	
1	2	
OFF	OFF	0-20A
OFF	ON	0-50A
ON	OFF	0-100A

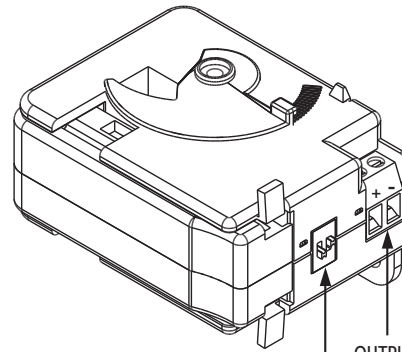
RIBXGTV10		
DIP SWITCH	RANGE	
1	2	
OFF	OFF	0-20A
OFF	ON	0-50A
ON	OFF	0-100A

CONTROL UNIT ACCESSORIES
also suitable for use as:
ENCLOSED ENERGY MANAGEMENT EQUIPMENT, SMOKE CONTROL, SIGNAL APPLIANCES

CAUTION: RISK OF ELECTRIC SHOCK - MORE THAN ONE DISCONNECT MAY BE REQUIRED TO DEENERGIZE THE DEVICE BEFORE SERVICING.

Bulletin B1413

MULTI-RANGE SPLIT CORE AC TRANSDUCCERS
• RIBXGTV5 • RIBXGTV10



DIP SWITCHES
OUTPUT TERMINAL STRIP ACCEPTS 14-22 AWG WIRE

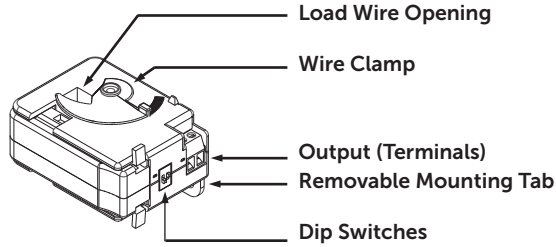
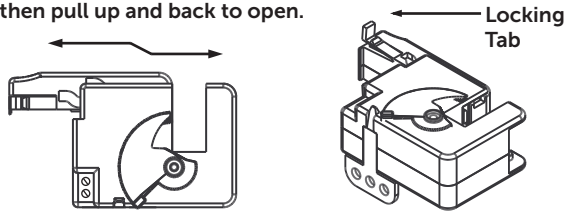
RIBXGTV5		
DIP SWITCH	RANGE	
1	2	
OFF	OFF	0-20A
OFF	ON	0-50A
ON	OFF	0-100A

RIBXGTV10		
DIP SWITCH	RANGE	
1	2	
OFF	OFF	0-20A
OFF	ON	0-50A
ON	OFF	0-100A

CONTROL UNIT ACCESSORIES
also suitable for use as:
ENCLOSED ENERGY MANAGEMENT EQUIPMENT, SMOKE CONTROL, SIGNAL APPLIANCES

CAUTION: RISK OF ELECTRIC SHOCK - MORE THAN ONE DISCONNECT MAY BE REQUIRED TO DEENERGIZE THE DEVICE BEFORE SERVICING.

Squeeze the locking tabs, then pull up and back to open.



393162J

Operating Temperature:
-30 to 140° F

Max Sense Voltage:
600 Vac

Approvals:
UL Listed, UL916, UL864,
C-UL Canada

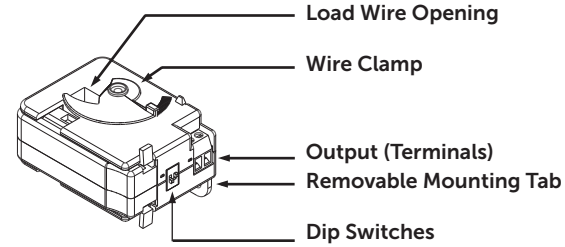
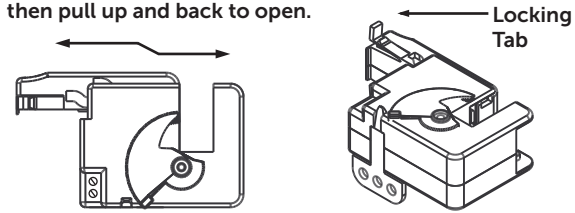
Housing Rating:
Plenum, NEMA 1



Functional Devices, Inc.
101 Commerce Drive
Sharpsville, IN 46068

www.functionaldevices.com

Squeeze the locking tabs, then pull up and back to open.



393162J

Operating Temperature:
-30 to 140° F

Max Sense Voltage:
600 Vac

Approvals:
UL Listed, UL916, UL864,
C-UL Canada

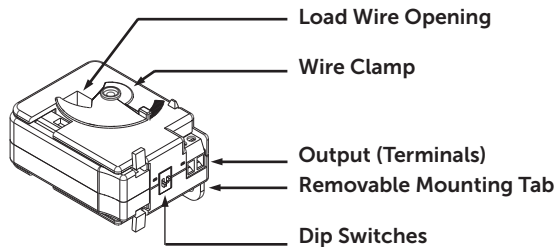
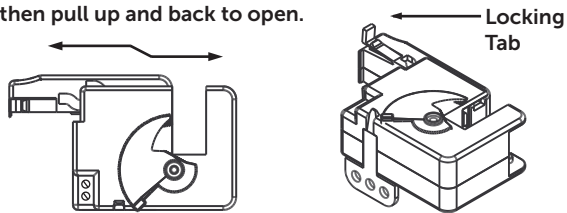
Housing Rating:
Plenum, NEMA 1



Functional Devices, Inc.
101 Commerce Drive
Sharpsville, IN 46068

www.functionaldevices.com

Squeeze the locking tabs, then pull up and back to open.



393162J

Operating Temperature:
-30 to 140° F

Max Sense Voltage:
600 Vac

Approvals:
UL Listed, UL916, UL864,
C-UL Canada

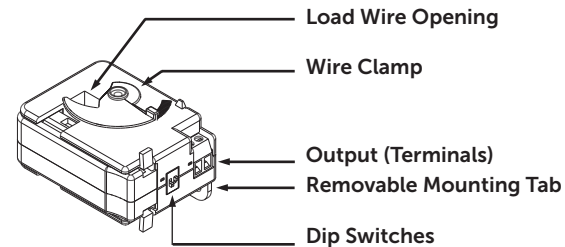
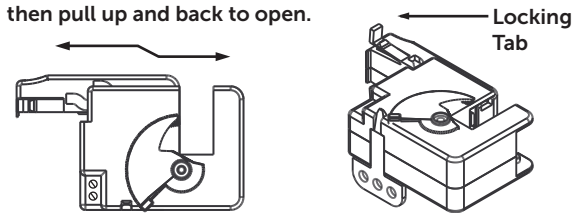
Housing Rating:
Plenum, NEMA 1



Functional Devices, Inc.
101 Commerce Drive
Sharpsville, IN 46068

www.functionaldevices.com

Squeeze the locking tabs, then pull up and back to open.



393162J

Operating Temperature:
-30 to 140° F

Max Sense Voltage:
600 Vac

Approvals:
UL Listed, UL916, UL864,
C-UL Canada

Housing Rating:
Plenum, NEMA 1



Functional Devices, Inc.
101 Commerce Drive
Sharpsville, IN 46068

www.functionaldevices.com