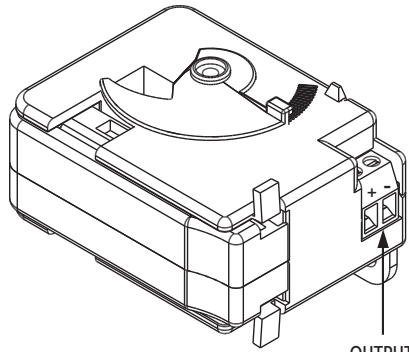
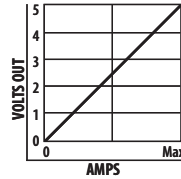


Bulletin B2486

SPLIT CORE AC TRANSDUCCERS
• RIBXGTV5-10



OUTPUT
TERMINAL
STRIP ACCEPTS
14-22 AWG WIRE

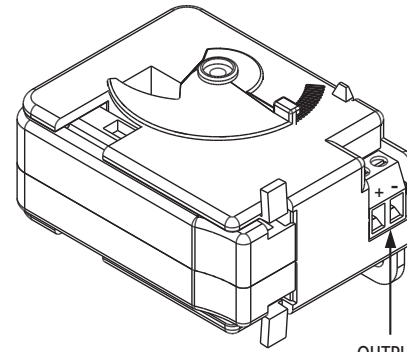


CONTROL UNIT
ACCESSORIES
also suitable for use as:
ENCLOSED ENERGY
MANAGEMENT
EQUIPMENT, SMOKE
CONTROL, SIGNAL
APPLIANCES

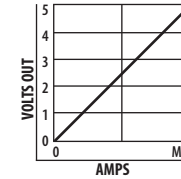
**CAUTION: RISK OF
ELECTRIC SHOCK
- MORE THAN
ONE DISCONNECT
MAY BE REQUIRED
TO DEENERGIZE
THE DEVICE BE-
FORE SERVICING.**

Bulletin B2486

SPLIT CORE AC TRANSDUCCERS
• RIBXGTV5-10



OUTPUT
TERMINAL
STRIP ACCEPTS
14-22 AWG WIRE

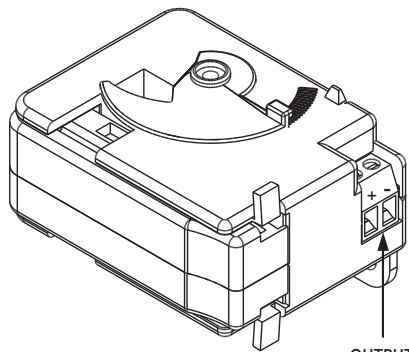


CONTROL UNIT
ACCESSORIES
also suitable for use as:
ENCLOSED ENERGY
MANAGEMENT
EQUIPMENT, SMOKE
CONTROL, SIGNAL
APPLIANCES

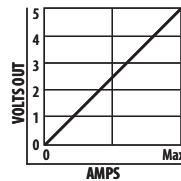
**CAUTION: RISK OF
ELECTRIC SHOCK
- MORE THAN
ONE DISCONNECT
MAY BE REQUIRED
TO DEENERGIZE
THE DEVICE BE-
FORE SERVICING.**

Bulletin B2486

SPLIT CORE AC TRANSDUCCERS
• RIBXGTV5-10



OUTPUT
TERMINAL
STRIP ACCEPTS
14-22 AWG WIRE

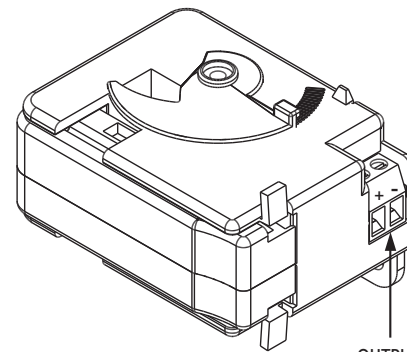


CONTROL UNIT
ACCESSORIES
also suitable for use as:
ENCLOSED ENERGY
MANAGEMENT
EQUIPMENT, SMOKE
CONTROL, SIGNAL
APPLIANCES

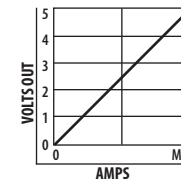
**CAUTION: RISK OF
ELECTRIC SHOCK
- MORE THAN
ONE DISCONNECT
MAY BE REQUIRED
TO DEENERGIZE
THE DEVICE BE-
FORE SERVICING.**

Bulletin B2486

SPLIT CORE AC TRANSDUCCERS
• RIBXGTV5-10



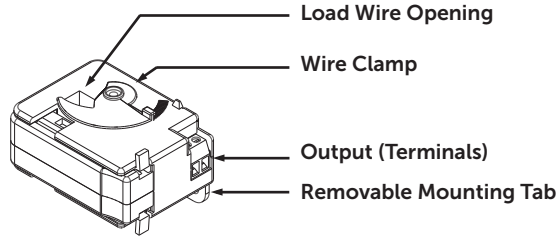
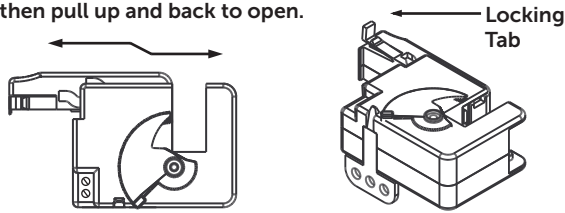
OUTPUT
TERMINAL
STRIP ACCEPTS
14-22 AWG WIRE



CONTROL UNIT
ACCESSORIES
also suitable for use as:
ENCLOSED ENERGY
MANAGEMENT
EQUIPMENT, SMOKE
CONTROL, SIGNAL
APPLIANCES

**CAUTION: RISK OF
ELECTRIC SHOCK
- MORE THAN
ONE DISCONNECT
MAY BE REQUIRED
TO DEENERGIZE
THE DEVICE BE-
FORE SERVICING.**

Squeeze the locking tabs, then pull up and back to open.



393276

Operating Temperature:
-30 to 140° F

Max Sense Voltage:
600 Vac

Approvals:
UL Listed, UL916, UL864,
C-UL Canada

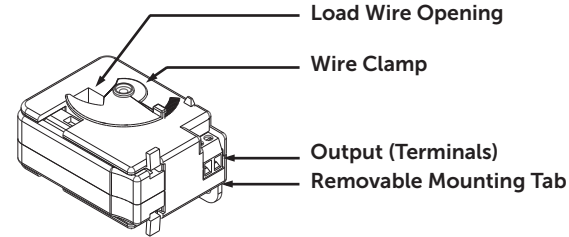
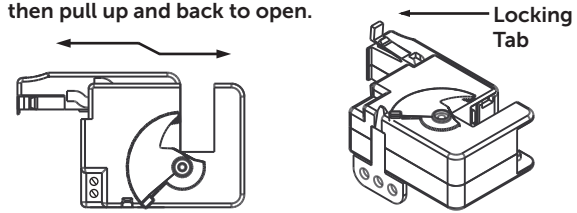
Housing Rating:
Plenum, NEMA 1



Functional Devices, Inc.
101 Commerce Drive
Sharpsville, IN 46068

www.functionaldevices.com

Squeeze the locking tabs, then pull up and back to open.



393276

Operating Temperature:
-30 to 140° F

Max Sense Voltage:
600 Vac

Approvals:
UL Listed, UL916, UL864,
C-UL Canada

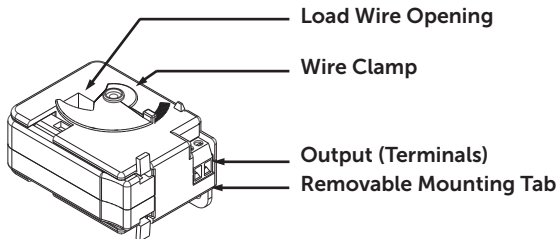
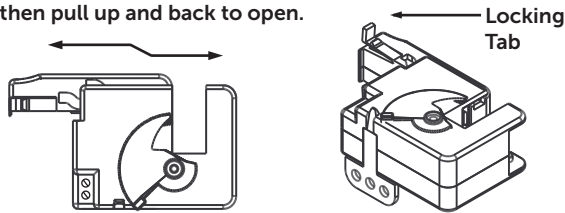
Housing Rating:
Plenum, NEMA 1



Functional Devices, Inc.
101 Commerce Drive
Sharpsville, IN 46068

www.functionaldevices.com

Squeeze the locking tabs, then pull up and back to open.



393276

Operating Temperature:
-30 to 140° F

Max Sense Voltage:
600 Vac

Approvals:
UL Listed, UL916, UL864,
C-UL Canada

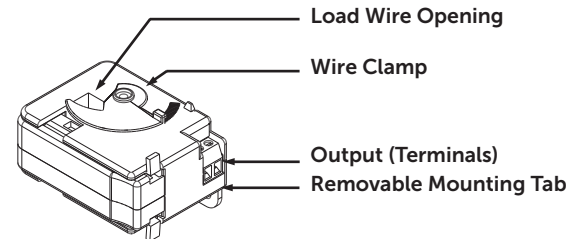
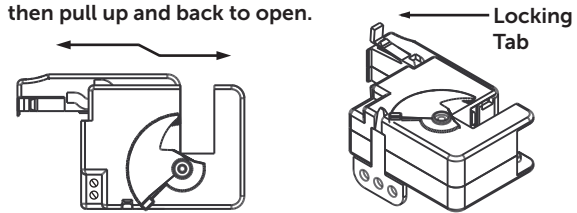
Housing Rating:
Plenum, NEMA 1



Functional Devices, Inc.
101 Commerce Drive
Sharpsville, IN 46068

www.functionaldevices.com

Squeeze the locking tabs, then pull up and back to open.



393276

Operating Temperature:
-30 to 140° F

Max Sense Voltage:
600 Vac

Approvals:
UL Listed, UL916, UL864,
C-UL Canada

Housing Rating:
Plenum, NEMA 1



Functional Devices, Inc.
101 Commerce Drive
Sharpsville, IN 46068

www.functionaldevices.com