

RIBMW24SB-LNAI

Bulletin B807 • 393079F

CONTACT RATINGS
 20 Amp Resistive @ 277 Vac
 1 HP @ 120 Vac
 2 HP @ 277 Vac
 20A Ballast @ 277 Vac (N/O)
 10A Ballast @ 277 Vac (N/C)
 10A Tungsten @ 120 Vac (N/O)

POWER INPUT
 24 Vac/dc = Terminal Strip

POWER INPUT RATINGS
 24 Vac, 111mA Max
 24 Vdc, 81mA Max

Energy Management Equip.

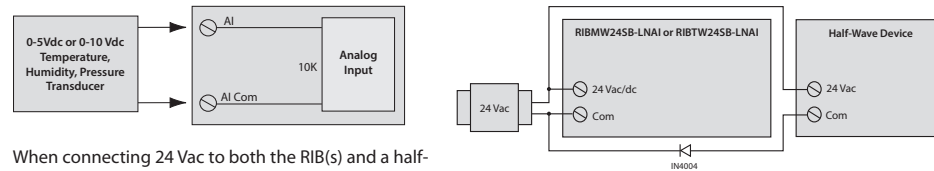


CONTACT OUTPUT
 Terminals

www.FunctionalDevices.com

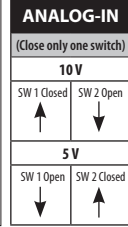
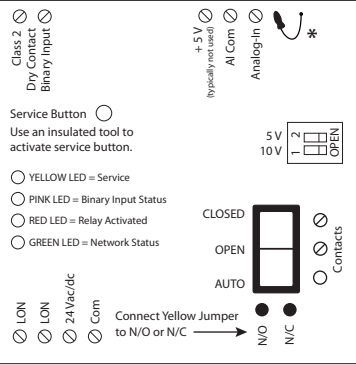
FOR SUPPLY CONNECTIONS USE #12AWG WIRES OR LARGER RATED FOR AT LEAST 75°C(167°F).

CAUTION: RISK OF ELECTRIC SHOCK - MORE THAN ONE DISCONNECT MAY BE REQUIRED TO DEENERGIZE THE DEVICE BEFORE SERVICING.

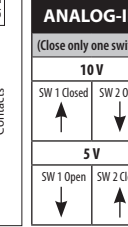
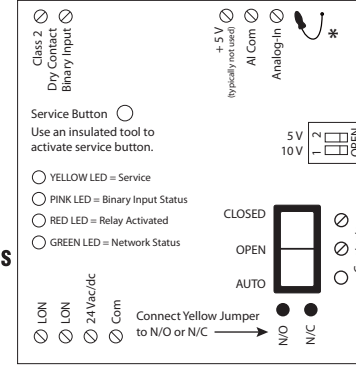


When connecting 24 Vac to both the RIB(s) and a half-wave device, damage to device can occur. Option 1: Use separate transformers for each device. Option 2: Add diode between devices, see Option 2 note. ^^

^^ Option 2:
 Add diode on 24 Vac power (Com) interconnection between devices. Band on diode faces towards RIB(s).



* Cut resistor to use 0-5V and 0-10V Analog-In, leave in to use 10K Thermistor. Connect 10K Thermistor from +5 Vdc to 0-5 Analog-In. (Set dip switch below.)



* Cut resistor to use 0-5V and 0-10V Analog-In, leave in to use 10K Thermistor. Connect 10K Thermistor from +5 Vdc to 0-5 Analog-In. (Set dip switch below.)

RIBMW24SB-LNAI

Bulletin B807 • 393079F

CONTACT RATINGS
 20 Amp Resistive @ 277 Vac
 1 HP @ 120 Vac
 2 HP @ 277 Vac
 20A Ballast @ 277 Vac (N/O)
 10A Ballast @ 277 Vac (N/C)
 10A Tungsten @ 120 Vac (N/O)

POWER INPUT
 24 Vac/dc = Terminal Strip

POWER INPUT RATINGS
 24 Vac, 111mA Max
 24 Vdc, 81mA Max

Energy Management Equip.

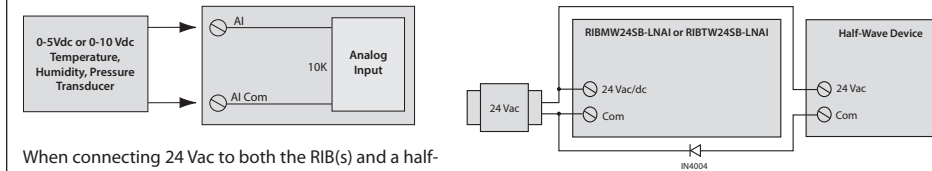


CONTACT OUTPUT
 Terminals

www.FunctionalDevices.com

FOR SUPPLY CONNECTIONS USE #12AWG WIRES OR LARGER RATED FOR AT LEAST 75°C(167°F).

CAUTION: RISK OF ELECTRIC SHOCK - MORE THAN ONE DISCONNECT MAY BE REQUIRED TO DEENERGIZE THE DEVICE BEFORE SERVICING.



When connecting 24 Vac to both the RIB(s) and a half-wave device, damage to device can occur. Option 1: Use separate transformers for each device. Option 2: Add diode between devices, see Option 2 note. ^^

^^ Option 2:
 Add diode on 24 Vac power (Com) interconnection between devices. Band on diode faces towards RIB(s).

RIBMW24SB-LNAI

Bulletin B807 • 393079F

CONTACT RATINGS
 20 Amp Resistive @ 277 Vac
 1 HP @ 120 Vac
 2 HP @ 277 Vac
 20A Ballast @ 277 Vac (N/O)
 10A Ballast @ 277 Vac (N/C)
 10A Tungsten @ 120 Vac (N/O)

POWER INPUT
 24 Vac/dc = Terminal Strip

POWER INPUT RATINGS
 24 Vac, 111mA Max
 24 Vdc, 81mA Max

Energy Management Equip.

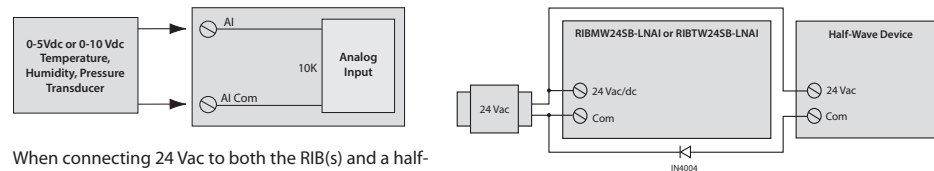


CONTACT OUTPUT
 Terminals

www.FunctionalDevices.com

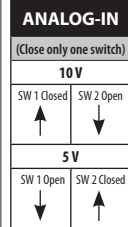
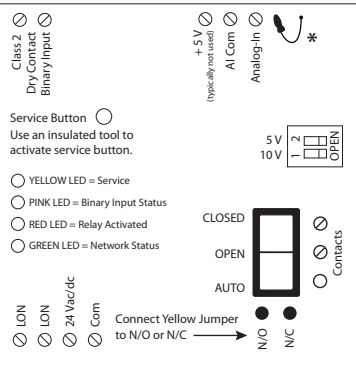
FOR SUPPLY CONNECTIONS USE #12AWG WIRES OR LARGER RATED FOR AT LEAST 75°C(167°F).

CAUTION: RISK OF ELECTRIC SHOCK - MORE THAN ONE DISCONNECT MAY BE REQUIRED TO DEENERGIZE THE DEVICE BEFORE SERVICING.

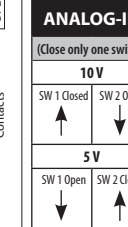
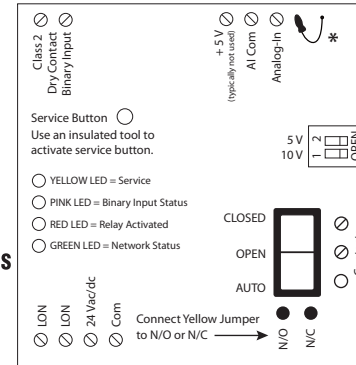


When connecting 24 Vac to both the RIB(s) and a half-wave device, damage to device can occur. Option 1: Use separate transformers for each device. Option 2: Add diode between devices, see Option 2 note. ^^

^^ Option 2:
 Add diode on 24 Vac power (Com) interconnection between devices. Band on diode faces towards RIB(s).



* Cut resistor to use 0-5V and 0-10V Analog-In, leave in to use 10K Thermistor. Connect 10K Thermistor from +5 Vdc to 0-5 Analog-In. (Set dip switch below.)



* Cut resistor to use 0-5V and 0-10V Analog-In, leave in to use 10K Thermistor. Connect 10K Thermistor from +5 Vdc to 0-5 Analog-In. (Set dip switch below.)

RIBMW24SB-LNAI

Bulletin B807 • 393079F

CONTACT RATINGS
 20 Amp Resistive @ 277 Vac
 1 HP @ 120 Vac
 2 HP @ 277 Vac
 20A Ballast @ 277 Vac (N/O)
 10A Ballast @ 277 Vac (N/C)
 10A Tungsten @ 120 Vac (N/O)

POWER INPUT
 24 Vac/dc = Terminal Strip

POWER INPUT RATINGS
 24 Vac, 111mA Max
 24 Vdc, 81mA Max

Energy Management Equip.

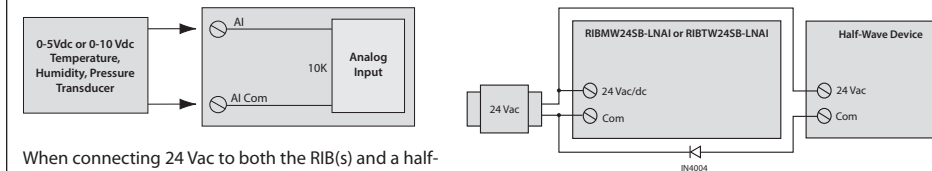


CONTACT OUTPUT
 Terminals

www.FunctionalDevices.com

FOR SUPPLY CONNECTIONS USE #12AWG WIRES OR LARGER RATED FOR AT LEAST 75°C(167°F).

CAUTION: RISK OF ELECTRIC SHOCK - MORE THAN ONE DISCONNECT MAY BE REQUIRED TO DEENERGIZE THE DEVICE BEFORE SERVICING.



When connecting 24 Vac to both the RIB(s) and a half-wave device, damage to device can occur. Option 1: Use separate transformers for each device. Option 2: Add diode between devices, see Option 2 note. ^^

^^ Option 2:
 Add diode on 24 Vac power (Com) interconnection between devices. Band on diode faces towards RIB(s).