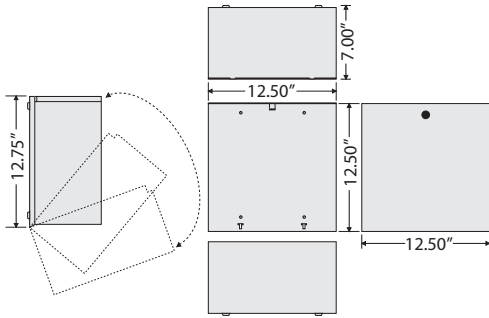


ENCLOSURES

MH3300 Series

Metal Housing, NEMA 1, 12.5 H x 12.5 W x 7.0 D



MH3300 SERIES ASSEMBLIES

Model #	Enclosure	Cover Type	Sub-Panel
MH3300	MH3300	Vertical Lift Screw Down	
MH3300K	MH3300K	Vertical Lift Key Latch	
MH3303	MH3300	Vertical Lift Screw Down	SP3303 ¹
MH3304	MH3300	Vertical Lift Screw Down	SP3304 ²
MH3303K	MH3300K	Vertical Lift Key Latch	SP3303 ¹
MH3304K	MH3300K	Vertical Lift Key Latch	SP3304 ²

¹ = Polymetal 11.33" H x 11.40" W ² = Perforated Steel 11.33" H x 11.40" W



SPECIFICATIONS

Construction: 18 Gauge Steel
Approvals: UL Listed, C-UL, CE, RoHS
Origin: Made of US and non-US parts

Notes:
 • Consult factory for custom colors for large orders.